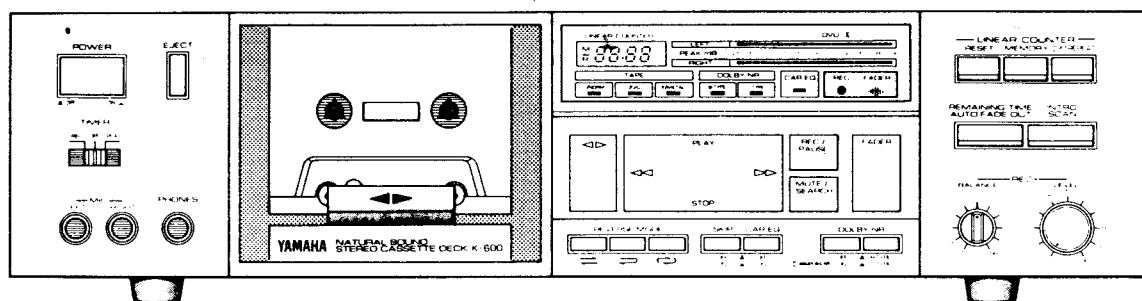


# STEREO CASSETTE DECK K-600

## SERVICE MANUAL

### FRONT PANEL



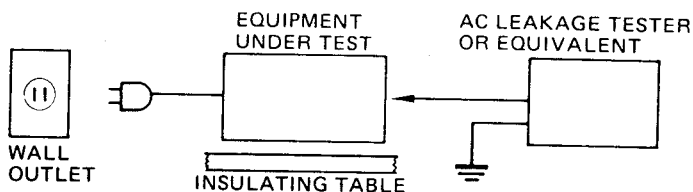
### CONTENTS

TO SERVICE PERSONNEL .....	1
SPECIFICATIONS .....	1
REAR PANEL .....	2
INTERNAL VIEW .....	3
DISASSEMBLY PROCEDURES .....	3 ~ 6
ADJUSTMENTS .....	6 ~ 8
BLOCK DIAGRAM .....	9
SCHEMATIC DIAGRAM .....	10
LSI DATA TABLES .....	11
TIMING CHART .....	11
IC BLOCK & SCHEMATIC DIAGRAM .....	11
SCHEMATIC DIAGRAM (LED UNIT) .....	12
PRINTED CIRCUIT BOARD (Pattern side) . . . .	13, 14
PARTS LIST .....	15 ~ 24



## TO SERVICE PERSONNEL

- Critical Components Information.**  
Components having special characteristics are marked  $\triangle$  and must be replaced with parts having specifications equal to those originally installed.
- Leakage Current Measurement (For 120V Model Only).**  
When service has been completed, it is imperative that you verify that all exposed conductive surfaces are properly insulated from supply circuits.
  - Meter impedance should be equivalent to 1500 ohm shunted by 0.15 $\mu$ F.
  - Leakage current must not exceed 0.5mA.
  - Be sure to test for leakage with the AC plug in both polarities.



## SPECIFICATIONS

<b>Track Configuration</b>	4 track, 2 channel stereo	
<b>Motor</b>	DC servo motor (capstan), Flat torque DC motor (reel); DC motor (mech.)	
<b>Head System</b>	Sendust rotary Rec/playback head system: double gap ferrite erase head	
<b>F. Fwd/Rew Time</b>	90 sec. (C-60)	
<b>Wow &amp; Flutter</b>	WRMS/W. PEAK less than 0.05% less than $\pm$ 0.08%	
<b>Signal-to-Noise Ratio</b>	(Dolby off, CrO <sub>2</sub> tape) better than 59dB (Dolby B on, CrO <sub>2</sub> tape) better than 67dB (Dolby C on, CrO <sub>2</sub> tape) better than 75dB	
<b>Frequency Response (-20dB)</b>	Normal Tape 30 ~ 16,000Hz $\pm$ 3dB CrO <sub>2</sub> Tape 30 ~ 18,000Hz $\pm$ 3dB Metal Tape 30 ~ 19,000Hz $\pm$ 3dB	
<b>Total Distortion</b>	Normal Tape less than 1.0% CrO <sub>2</sub> Tape less than 1.0% Metal Tape less than 1.0%	

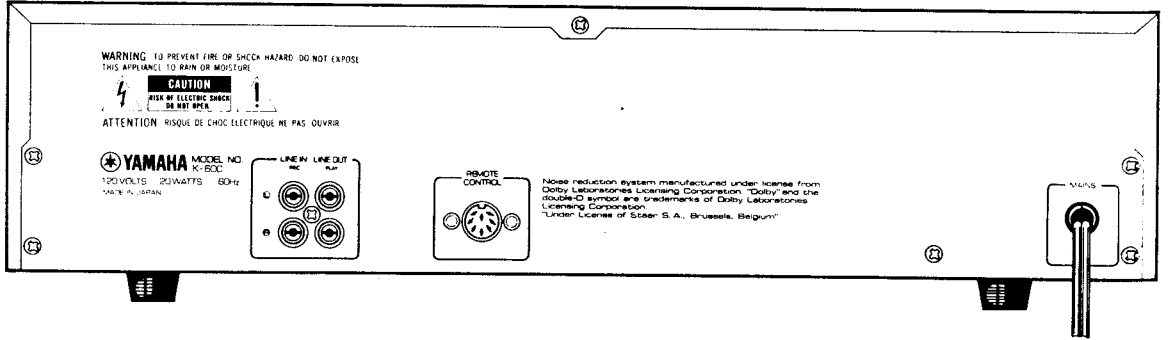
<b>Input Sensitivity/Impedance</b>	Mic 0.3mV/5 k-ohms Line 60mV/47 k-ohms	
<b>Output Level</b>	Line 350mV/1.5k-ohms Phones 70mV/8 ohms	
<b>Power Supplies</b>	U.S. & Canadian Models 120V AC, 60Hz European Model 220V AC, 50Hz British & Australian Models 240V AC, 50Hz General Model 110/120/220/240V AC, 50/60Hz	
<b>Power Consumption</b>	20W	
<b>Dimensions (W x H x D)</b>	435 x 113.5 x 302.5 mm (17-1/8" x 4-1/2" x 11-7/8")	
<b>Weight</b>	5.2 kg (11 lbs. 7 oz.)	

Specifications subject to change without notice.  
\*TM Dolby laboratories Licensing Corp.

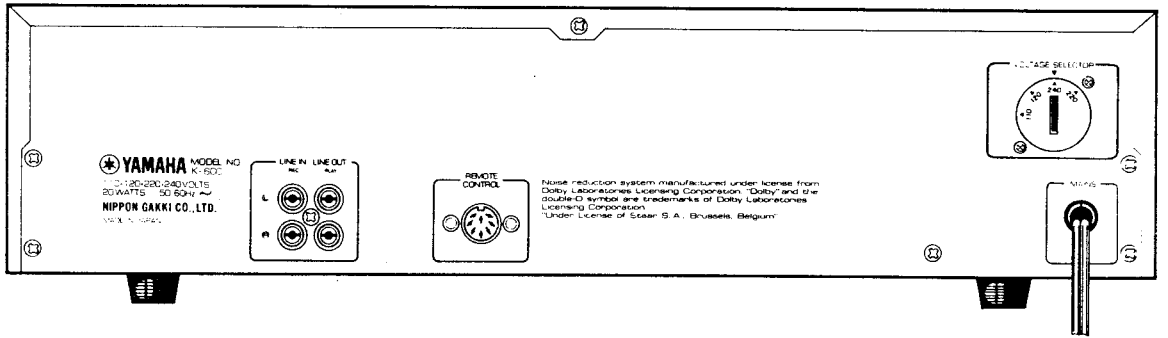
- (U)..... U.S.A. model
- (C)..... Canadian model
- (A)..... Australian model
- (G)..... European model
- (B)..... British model
- (R)..... General model

# REAR PANELS

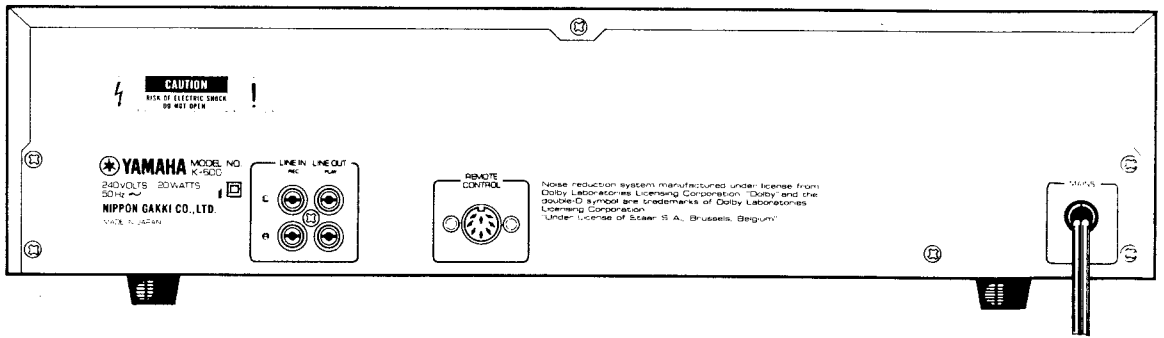
## U.S.A. & CANADIAN MODELS



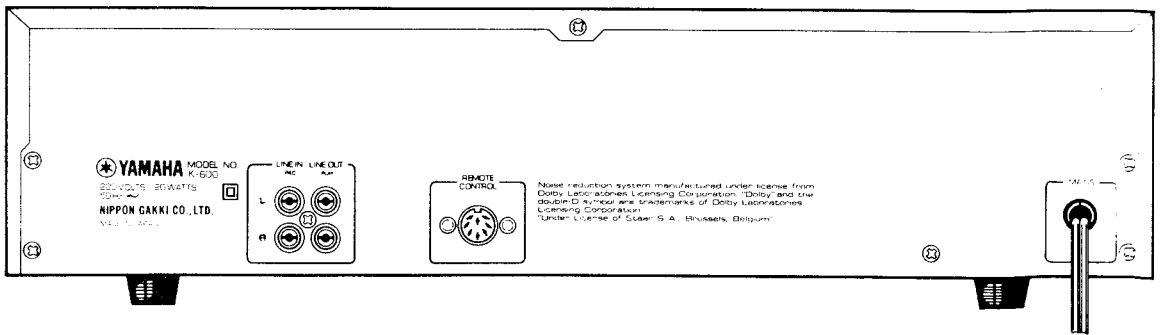
## GENERAL MODELS



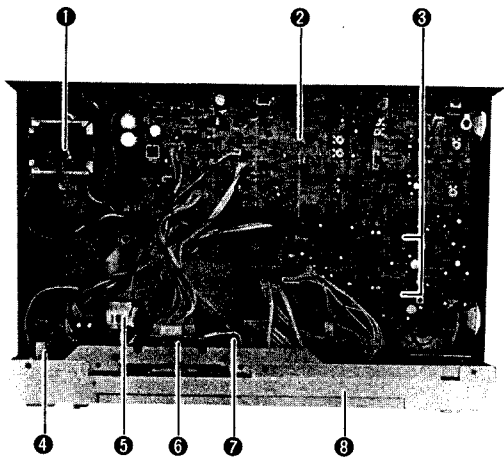
## BRITISH & AVSTRALIAN MODELS



## EUROPEAN MODELS



INTERNAL VIEW (K-600)



- ① POWER TRANSFORMER  
 U.S.A & Canadian models : GA66961  
 General model : GA66950  
 British & Austrolian models : GA66971  
 European models : GA66981
- ② MAIN CIRCUIT BOARD
- ③ DOLBY IC : AN7370
- ④ POWER SWITCH
- ⑤ MAIN MOTOR
- ⑥ REEL MOTOR
- ⑦ ASSIST MOTOR
- ⑧ PANEL UNIT

DISASSEMBLY PROCEDURES OF CABINET PARTS (Remove parts in order of disassembly as numbered.)

DISASSEMBLY PROCEDURES

1. Top cover removal

Remove 5 screws ( ① ) in fig. 1.

2. Bottom cover removal

Remove 9 screws ( ② ) in fig. 1.

3. Front panel removal

a. Remove the LID.

b. Detach 4 connectors (#8, #9, #10, #11) in fig. 2.

c. Remove 6 screws ( ③ ) in fig. 1.

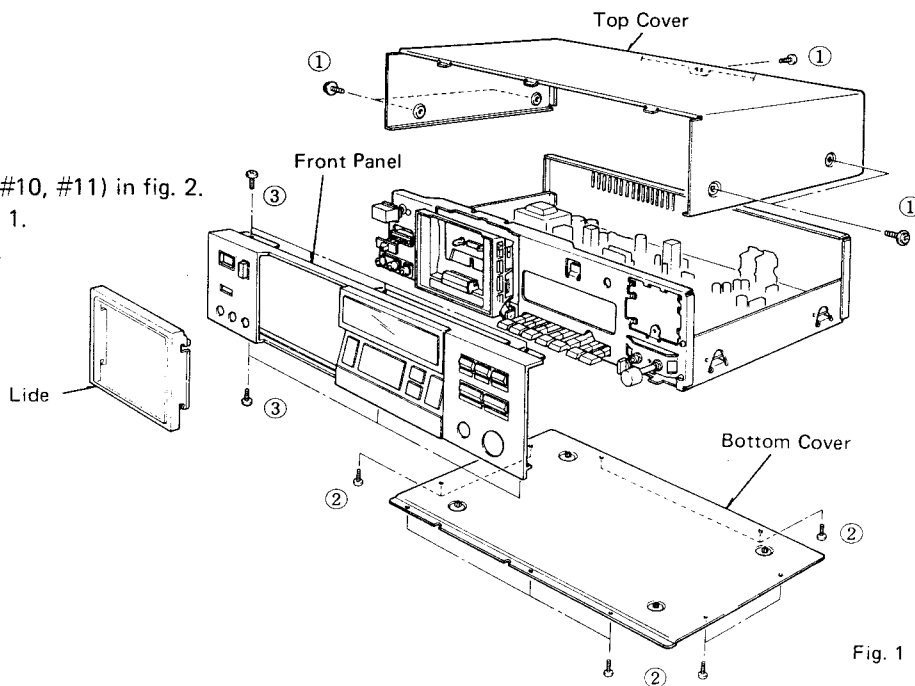


Fig. 1

WIRING DIAGRAM

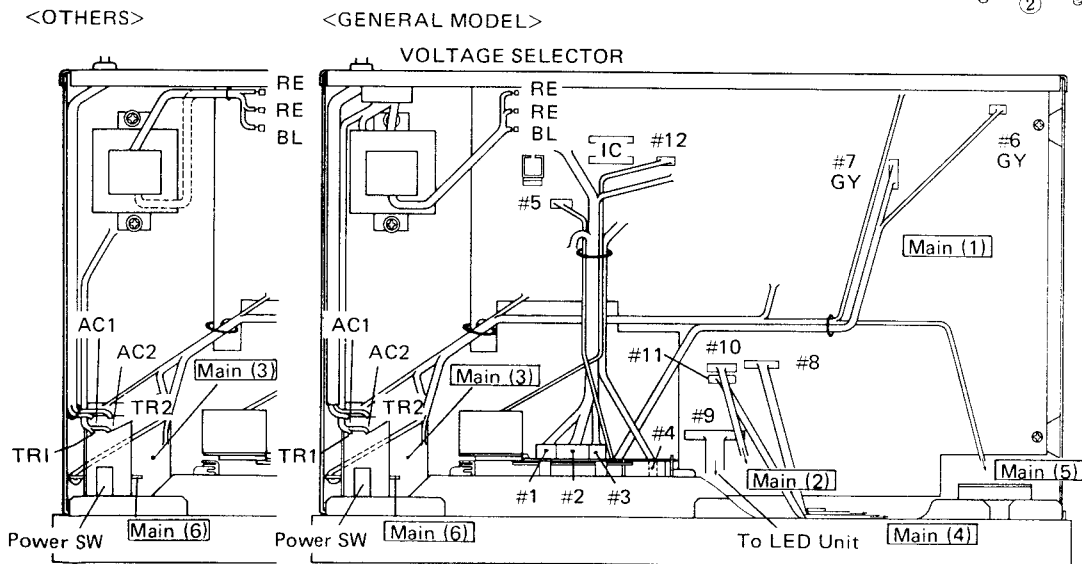


Fig. 2

## DISASSEMBLY PROCEDURES OF CASSETTE MECHANISM

### 1. Cassette mechanism unit removal

- Remove the top cover.
- Remove the LiD.
- Remove 4 screws ( ④ ) in fig. 3.
- Detach 8 connectors (#1, #2, #3, #4, #5, #6, #7, #12) in fig. 2.
- Pull off the mechanism unit to the back side gently.

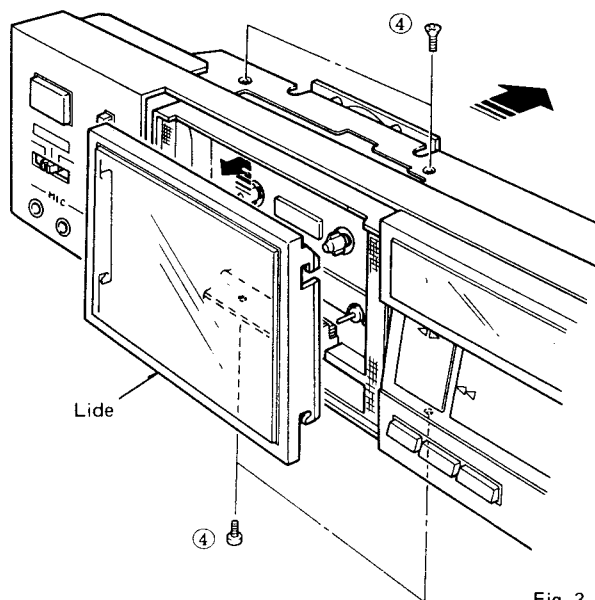


Fig. 3

### 2. Housing Ass'y removal

- Remove screw ( ⑤ ) in fig. 4. (Remove after aligning the damper assembly arm with the notch in the blind plate.)
- As shown in the figure, remove the lower part of the housing assembly while pressing it in the direction of the arrow.

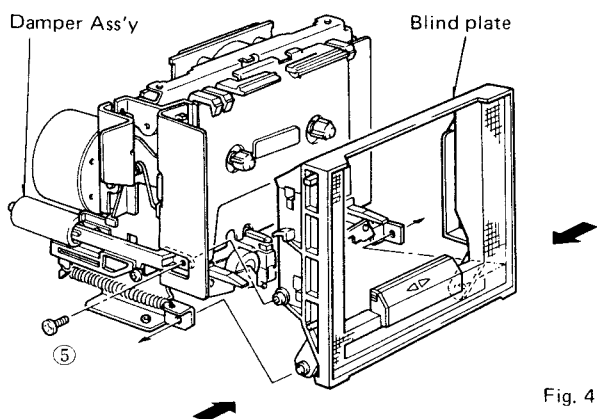


Fig. 4

### 3. Replacement of pinch roller Ass'y and Head unit

#### (1) Replacement of pinch roller Ass'y

- Remove the Ering ( ⑥ ) in fig. 5.  
\* Be sure that the pinch roller SPRING is in the correct position when attached.

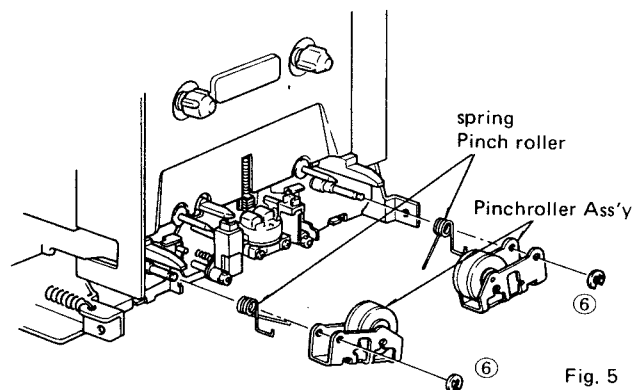


Fig. 5

#### (2) Replacement of Head unit

\* Before replacing the head, first disconnect the lead wiring shown in fig. 7.

- Remove hexagon nut ( ⑦ ) in fig. 6. (Tape Guide, Sensor unit)  
\* Perform Sensor unit adjustments when attaching the head unit.
- Remove 2 screws ( ⑧ ) in fig. 6.  
\* Perform azimuth adjustments when attaching the head unit.

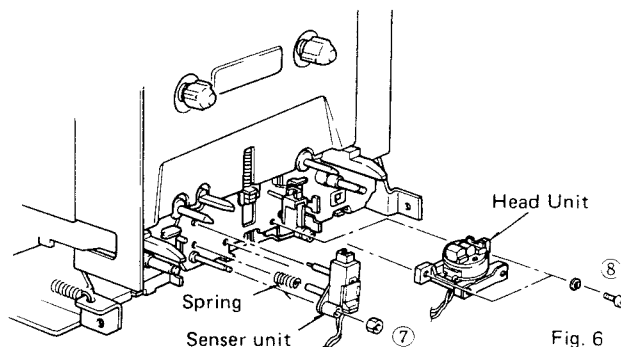
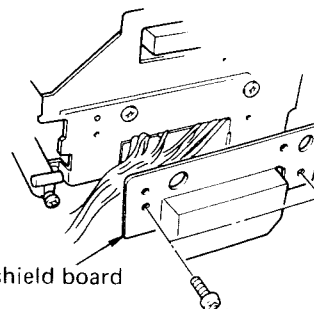


Fig. 6

#### — Disconnection of the lead wiring —

- Loosen the clamp.
- Remove the lead wiring holder.  
(Be careful not to bend the tab.)
- Remove the bonded part of the lead wiring for the tape guide.  
\* Secure the lead wiring again with adhesive when the lead wiring for the tape guide is connected.



(View of lower rear part of cassette mechanism)

Fig. 7

4. Replacement of MAIN motor and flywheel belt

- a. Remove 4 screws ( ⑨ ) in fig. 8.
- b. Disconnect the MAIN motor lead wiring.
- c. Remove the back plate slowly.  
(Can be removed with MAIN motor attached.)
- d. Remove the flywheel.
- e. Remove 2 screws ( ⑩ ) in fig. 8.

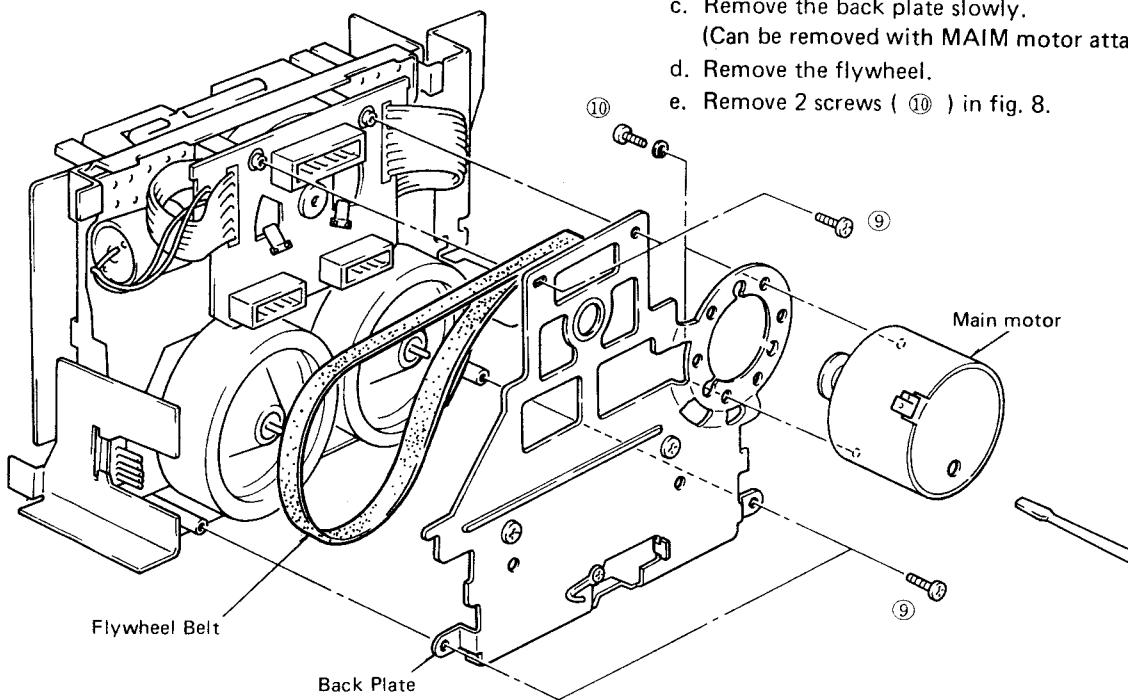
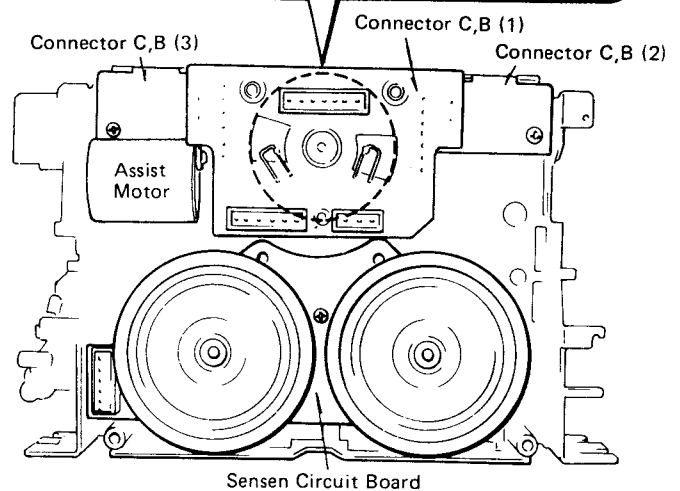
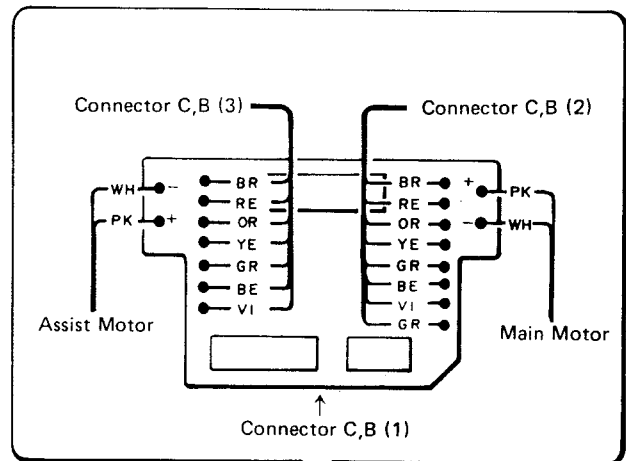
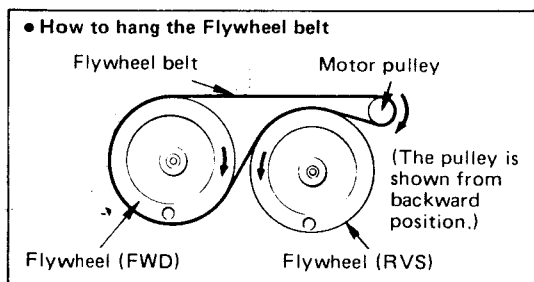


Fig. 8



● WIRE COLOR ABBREVIATIONS

BL	Black	BE	Blue
BR	Brown	VI	Violet
RE	Red	GY	Gray
OR	Orange	WH	White
YE	Yellow		
GR	Green		

## ■ ADJUSTMENTS

### 1. Before adjustment

- Since head magnetization, dust accumulations, etc. are likely to introduce error in the various characteristics, it is very important that the heads are properly demagnetized and cleaned.
- Proceed with the recording section adjustment after having finished the playback section adjustment.

### 2. Instruments required

- Audio frequency oscillator
- ACVM or 2 channel ACVM
- Wow/flutter meter
- Oscilloscope
- Torque meter
- DCVM

### “CONFIRMATION OF TORQUES”

Confirm that torques are within the following ratings;

Confirmation item	Ratings	Measurement conditions
TAKE UP torque	25 ~ 60 g.cm	Couple the Torque Meter (SONY TW-2111) to the deck in play mode, and read the torque of take up reel's. (While in play, read the center of deflection.)
FF torque	60 ~ 120 g.cm	Set the Torque Meter (SONY TW-2111) to the FF mode, and when it was would completely, read the torque of take up reel's.
REW torque	60 ~ 120 g.cm	Set the Torque Meter (SONY TW-2111) to the REW mode, and when winding is over, read the torque of supply reel's.
BACK TENSION torque	2 ~ 6 g.cm	Measure the back tension torque with the Torque Meter (SONY TW-2111) in play mode.
Pinch roller pressure	250 ~ 350 g	Measure the pinch roller pressure to the capstan in play mode.

### “CONFIRMATION OF F. FWD./REW. AND REVERSING TIMES”

Insert a C-60 tape and confirm that the time are within the following ratings.

Confirmation item	Times
FF/REW	Less than 100 seconds
REVIEW/CUE	Less than 110 seconds
REVERSE	Less than 1.0 seconds

\* Tape reversing time is the open time of the reel motor terminal voltage at the quick reverse.

### “MECHANICAL ADJUSTMENT”

Step	Adjustment item	Tape	Instrument required	Mode	Adjustment part	Rating	Remarks
1	Tape speed	MTT-111 3kHz, -10dB (250nwb/m)	Wow/flutter meter or Frequency counter	PB	Semi fixed variable resistor at the back of the Main motor. Fig. 15	3000 +15 Hz	*Perform adjustment at the center of the test tape length if possible.
2	Wow/flutter	MTT-111 3kHz, -1dB (250nwb/m)	Wow/flutter meter	PB		Less than 0.09% (JIS WRMS)	After the test tape has run about 30 seconds, check that the meter deflects less than 0.09%.
3	Azimuth	MTT-114 10kHz, -10dB (250nwb/m)	ACVM	PB	Azimuth adjustment screw of rotary head. Fig. 16	In FWD mode, set the output levels to maximum with priority of L channel. In RVS mode, Set the output levels to maximum with priority of R channel.	After the adjustment, make sure to apply screw lock paint. For the reverse side, turn the tape over. (Make the forward and reverse adjustments at the same place.) Fig. 17
4	Leader tape DET.	MAXELL : Leader tape TDK D-90 Magnetic substance	DCVM	REC/ PAUSE PB	Semi fixed variable resistor in relay circuit board.	Cathode of VR111: more than 2.0V Cathode of VR111: less than 0.5V	

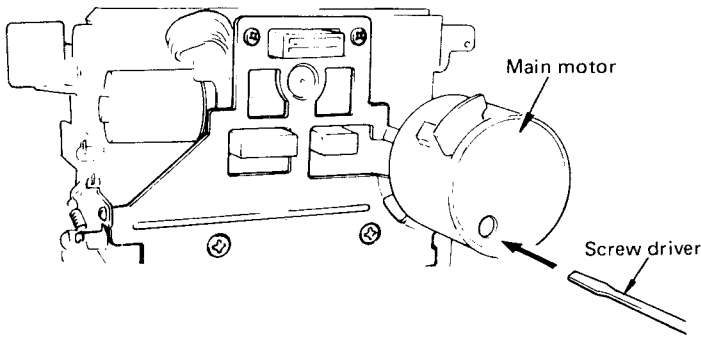


Fig. 15

Screw lock

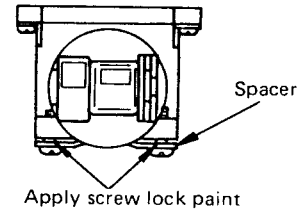
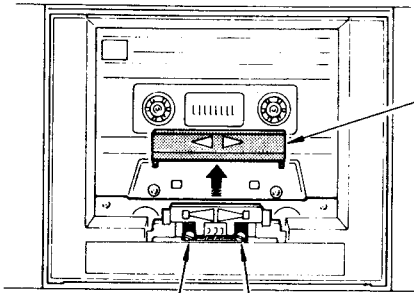


Fig. 17



Remove the direction cap Ass'y

\*Reverse a test tape when adjusting the reverse side.

Azimuth adjustment screw (FWD)      Azimuth adjustment screw (RVS)  
 Measuring instruments abbreviation  
 DC VM ..... DC Voltgagemeter  
 AC VM ..... AC Voltgagemeter

Fig. 16

FWD

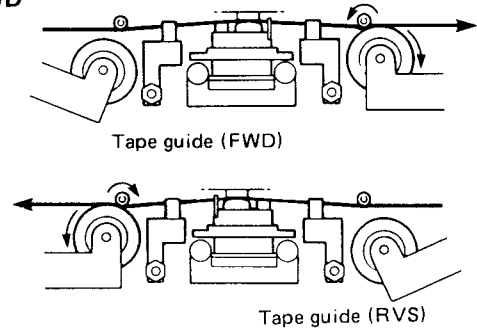


Fig. 18

• Proceed with the electrical adjustments after having finished the mechanical adjustments.

Step	Adjustment item	Tape	Instrument required	Mode	Measurement conditions	Points of measurement	Adjustment parts	Rating	Remarks
1	Playback level	MTT-212C 315Hz, 160nwb/m or MTT-212 315Hz, 250nwb/m	ACVM	PB		LINE OUT	VR105 (Lch) VR106 (Rch)	160nwb/m: 360 ± 25mV -9 ± 1.5 dBV  250nwb/m: 570 ± 35mV -5 ± 1.5 dBV	
2	Meter		ACVM Audio fre- quency oscillator		Apply a 1kHz signal to LINE IN terminals. Set the REC LEVEL knob so that LINE OUT voltage is 360mV	Peak level meter	VR103 (Rch) VR104 (Lch)	Adjust VR104 and VR103 to the lowest level where the 0dB display part of the level meter light up.	
3	Record level	YAMAHA CR60 (CrO <sub>2</sub> )	ACVM Audio fre- quency oscillator	REC/ PB	Apply a 1kHz signal to LINE IN terminals. Set the REC LEVEL knob so that LINE OUT voltage is 360mV	LINE OUT	VR107 (Lch) VR108 (Rch)	Set the same level of the record and playback level	
4	Record bias (Total fre- quency res- ponse)	YAMAHA CR60 (CrO <sub>2</sub> )	ACVM Audio fre- quency oscillator	REC/ PB	Apply a 16kHz signal to LINE IN terminals. Set the REC LEVEL knob so that LINE OUT voltage is	LINE OUT	VR109 (Lch) VR110 (Rch)	Set the same level of the record and playback level	Table 1

PLAYBACK FREQUENCY RESPONSE

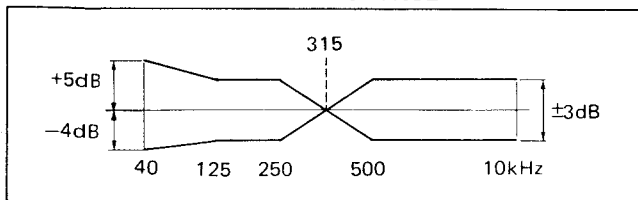


Fig. 19



TOTAL FREQUENCY RESPONSE

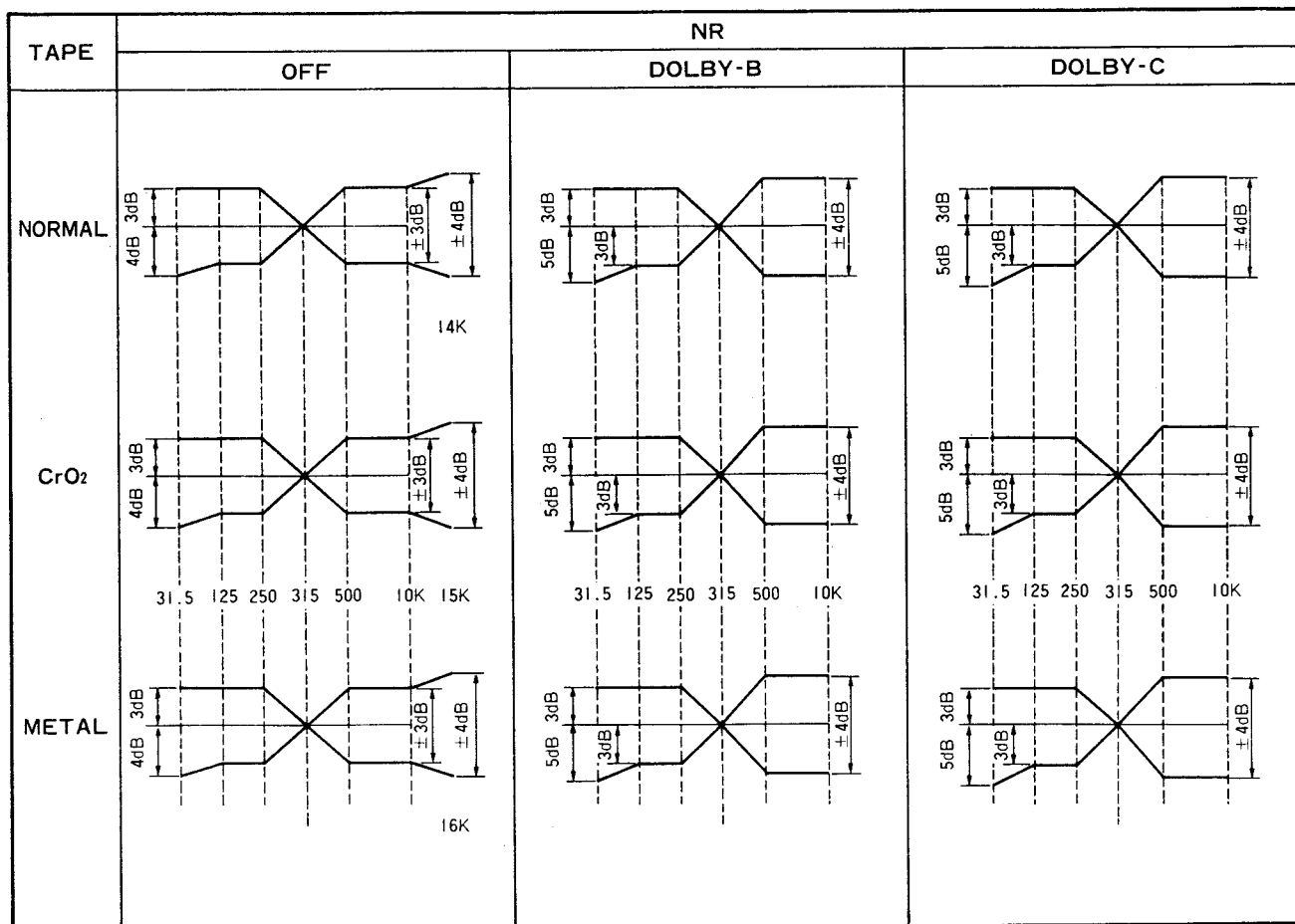
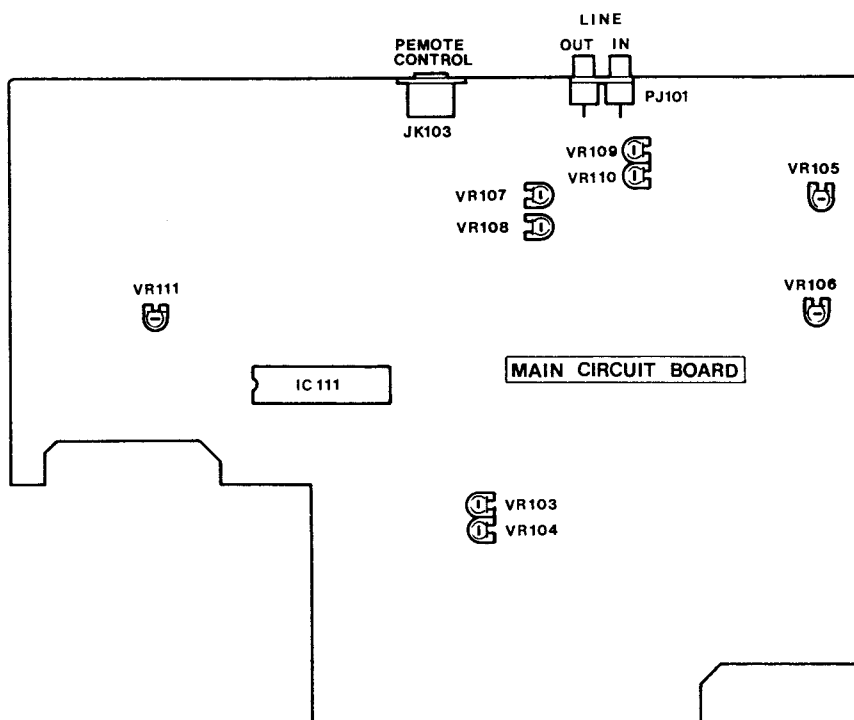
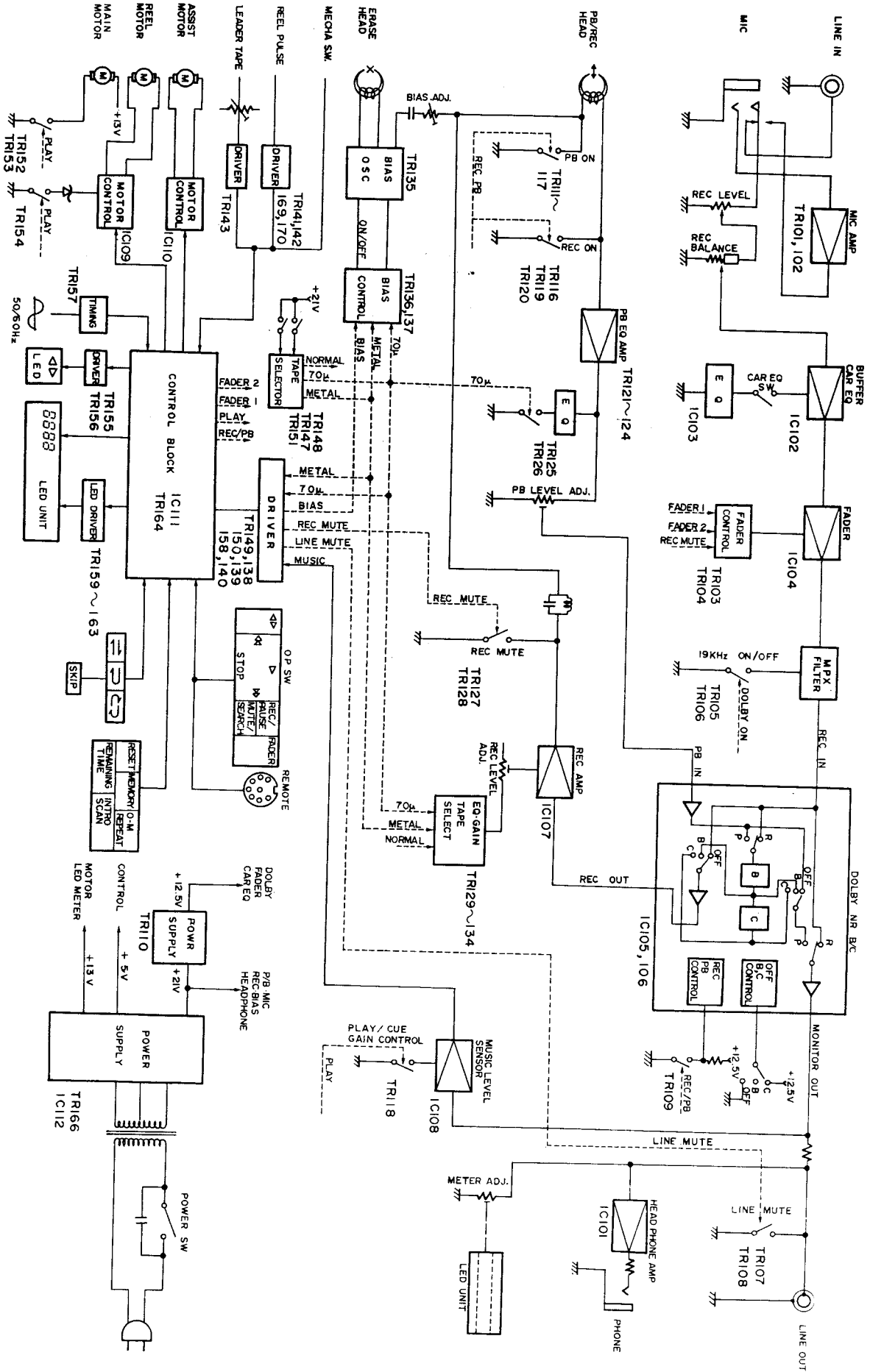


Table. 1

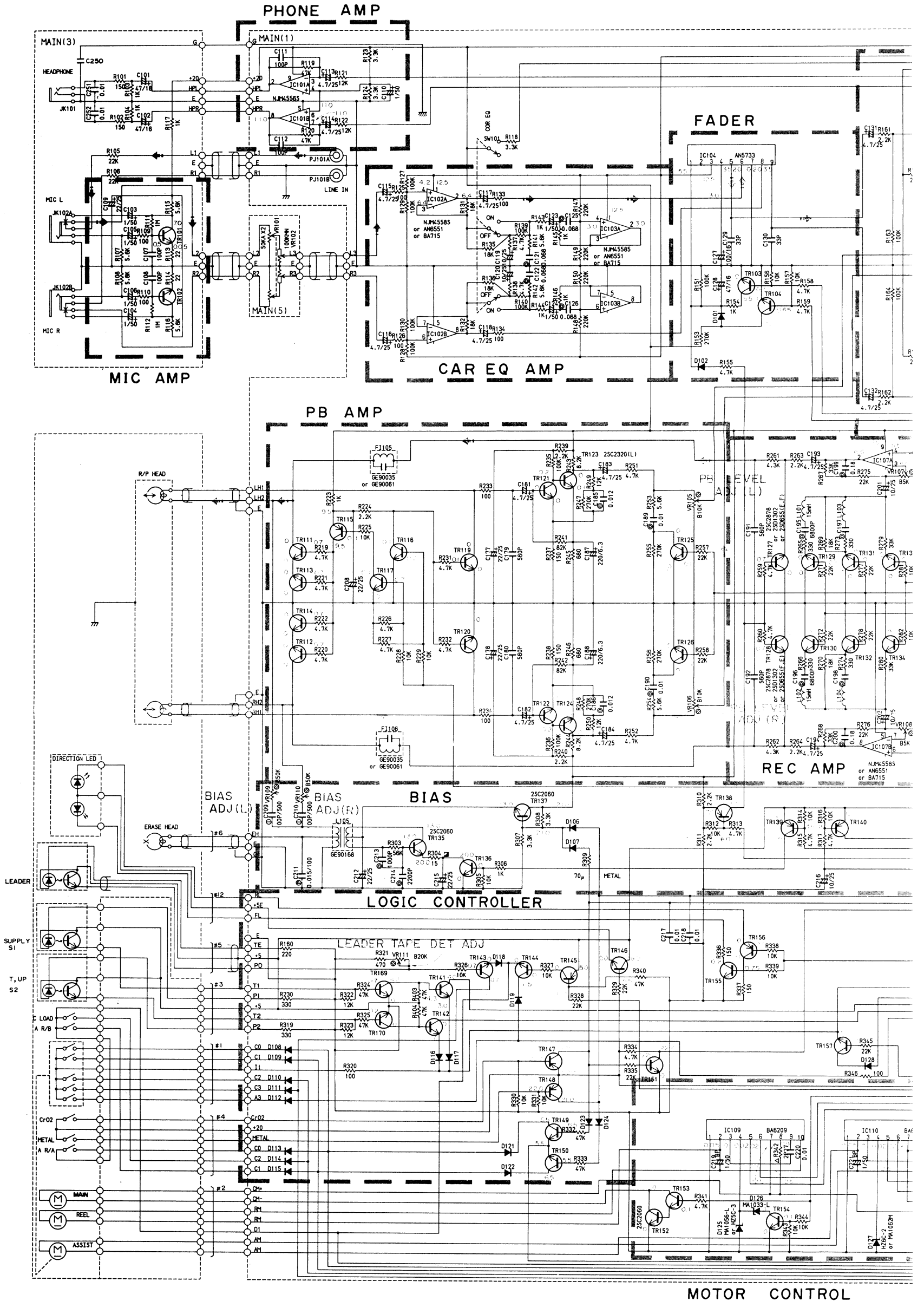
• TEST POINT



# BLOCK DIAGRAM



# SCHEMATIC DIAGRAM



→ PB  
 - - - REC

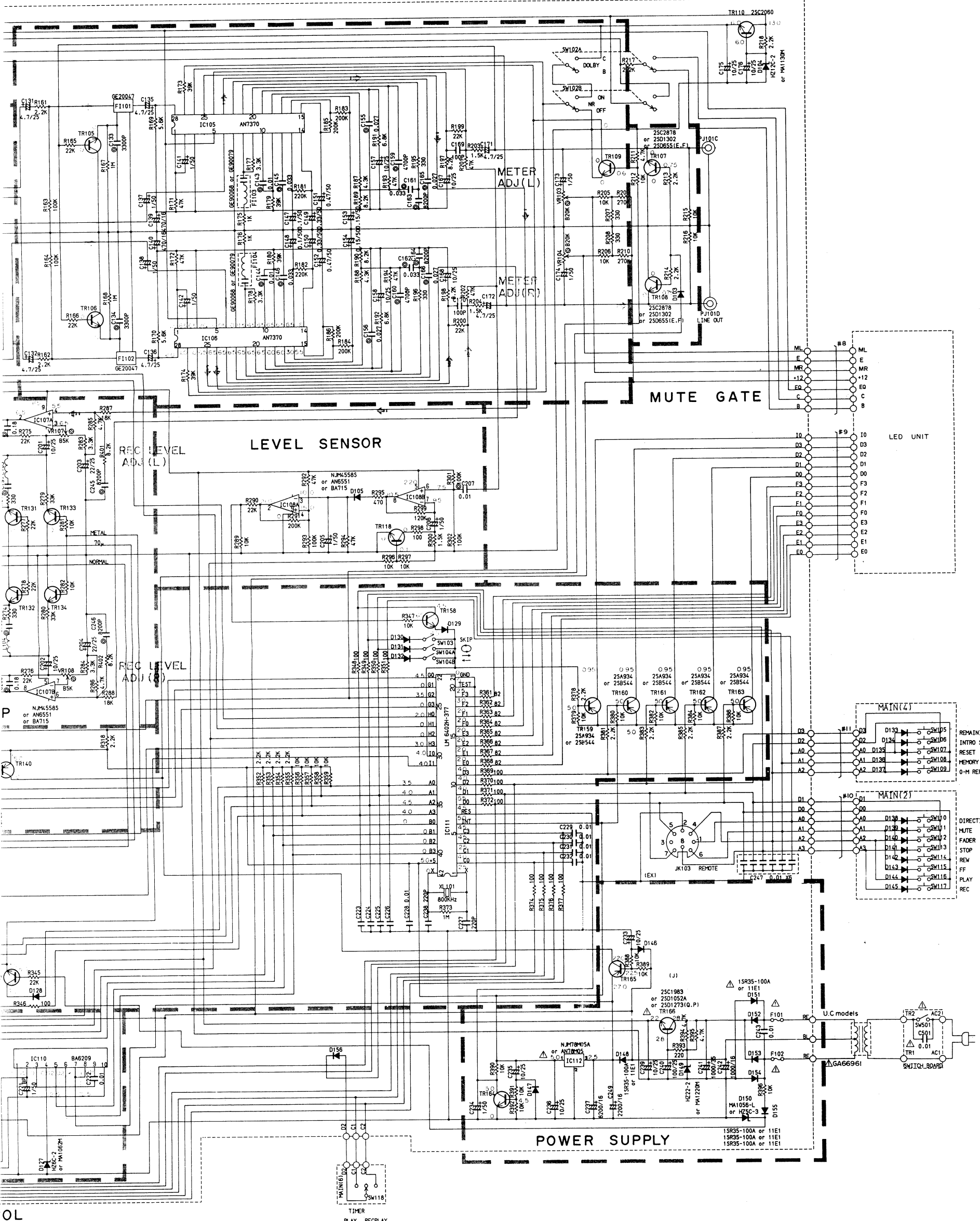
\*The voltages are measured by LH tape at PLAY mode (no-signal condition) only the voltages   are measured by LH tape at REC mode (no-signal condition)  
 \*All voltages are measured with a 10MΩ/V DC electric volt meter.  
 \*Schematic diagram is subject to change without notice.

**CAUTION**

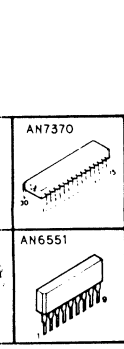
• Components having special characteristics are marked and must be replaced with parts having specifications equal to those originally installed.

25C2603 (E.F.) 25C2634 (R.S.T.) 25A1115 (E.F.) 25A1127 (R.S.T.) 25D1302 (R.S.) 25D655 (E.F.) 25A934 25B544	25C2060 25C2878	HZ9C-3 HZ9A-3 HZ9B-3	1S1885-10E-1	AN78M05 NJM78M05A	BAT15	NJM4556 NJM4558	BA6209	AN7370
25C1983 25D1273 (Q.P.) 25D1052A	HZ6C-2	1S1555 1S2473	SIRBA	M51143L	NJM2043SD AN6557	AN5733	LM6402H-377	AN6551

DOLBY



OL

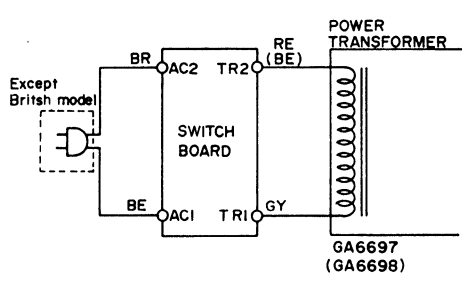


CAPACITOR		
REMARKS	PARTS NAME	
NO MARK	ELECTROLYTIC CAPACITOR	—E—
NO MARK	CERAMIC CAPACITOR	—C—
⊙	POLYESTEL FILM CAPACITOR	—F—
⊖	MICA CAPACITOR	—M—

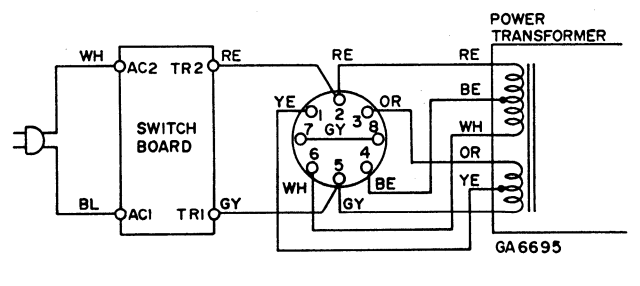
  

RESISTOR		
REMARKS	PARTS NAME	
NO MARK	CARBON FILM RESISTOR	—R—
Δ	METAL OXIDE FILM RESISTOR	—M—
⊗	SEMI VARIABLE RESISTOR	—S—

A, B, G models



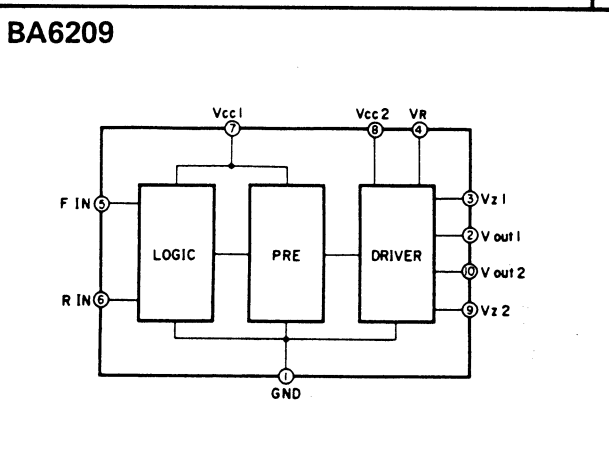
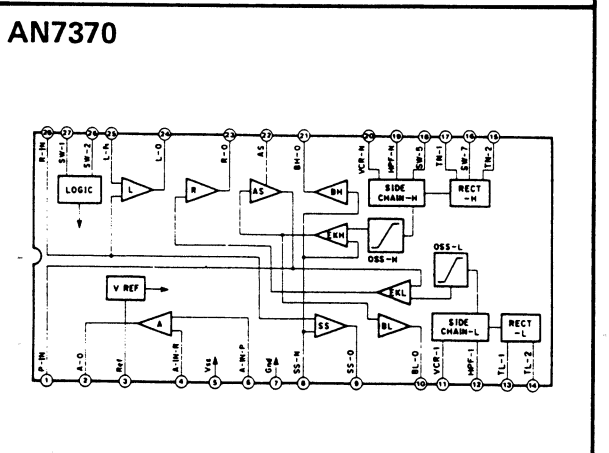
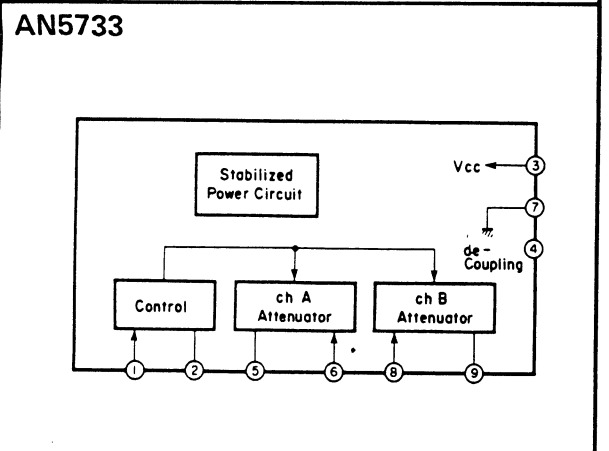
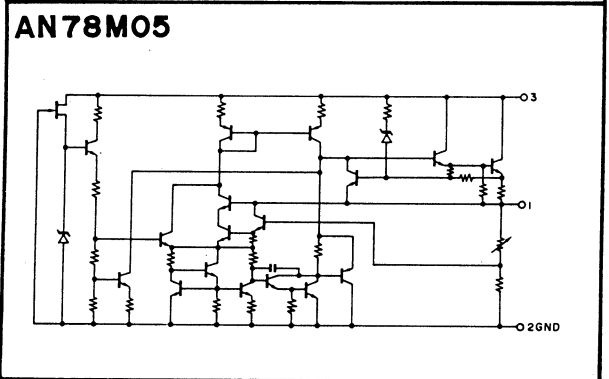
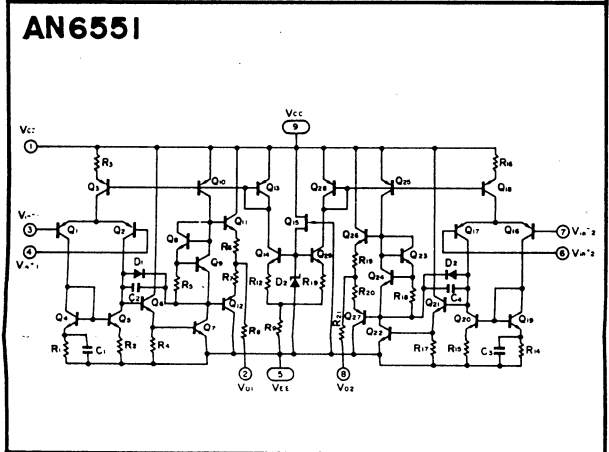
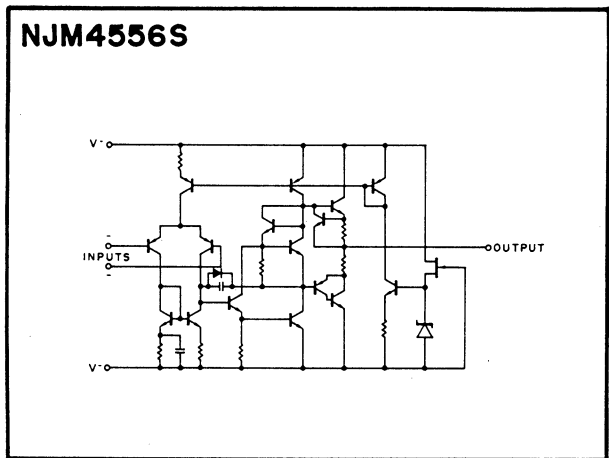
R models



( ) --- G model

IC BLOCK & SCHEMATIC DIAGRAM

LSI DATA TABLES



Truth table

Fin	Rin	Vout1	Vout2
1	1	L	L
0	1	L	H
1	0	H	L
0	0	L	L

PIN No.	NAME	FUNCTION	PIN No.	NAME	FUNCTION
1	Xtal	CLOCK, Microcomputer 800kHz	42	EXTal	CLOCK, Microcomputer 800kHz
2	Co	INPUT PORT (Sensor of each mechanism)	41	V <sub>DD</sub>	+5V
3	C <sub>1</sub>		40	B <sup>3</sup>	Asist motor control
4	C <sub>2</sub>		39	B <sup>2</sup>	(Mechanism movements, when "H" level)
5	C <sub>3</sub>		38	B <sup>1</sup>	Reel motor control
6	iNT	Not used (+5V)	37	B <sup>0</sup>	(Rew · Reverse · Play, when "H" level)
7	RES	RESET, Microcomputer (Reset at "L" level)	36	A <sup>3</sup>	INPUT PORT (Operation switches)
8	D <sub>0</sub>	LED DIGIT OUTPUT (1 figure) · KEY SCAN 1	35	A <sup>2</sup>	
9	D <sub>1</sub>	" (2 figure) · " 2	34	A <sup>1</sup>	
10	D <sub>2</sub>	" (3 figure) · " 3	33	A <sup>0</sup>	
11	D <sub>3</sub>	" (4 figure) · " 4	32		
12	E <sub>0</sub>	LED SEGMENT OUTPUT a. M	31	I <sub>1</sub>	SCAN 0 (Common Input)
13	E <sub>1</sub>	b. —	30	I <sub>0</sub>	SCAN 5 LED DIGIT (Dot LED)
14	E <sub>2</sub>	c. R	29	H <sup>3</sup>	DIRECTION OUTPUT (FWD at "H" level)
15	E <sub>3</sub>	d. R	28	H <sup>2</sup>	PLAY OUTPUT (Play · Rec, when "H" level)
16	F <sub>0</sub>	e. REC	27	H <sup>1</sup>	FADER 2 OUTPUT (Fader in, out at "L" level)
17	F <sub>1</sub>	f. NORM.	26	H <sup>0</sup>	FADER 1 OUTPUT (Fader in at "H" level)
18	F <sub>2</sub>	g. CrO <sub>2</sub>	25	G <sup>3</sup>	LINE MUTE OUTPUT (Mute on at "L" level)
19	F <sub>3</sub>	ON, : OFF, EVERY	24	G <sup>2</sup>	REC SELECT OUTPUT (Recording at "L" level)
20	TEST	Gnd.	23	G <sup>1</sup>	REC MUTE OUTPUT (Mute on at "L" level)
21	V <sub>SS</sub>	Gnd.	22	G <sup>0</sup>	REC BIAS OUTPUT (Bias on at "L" level)

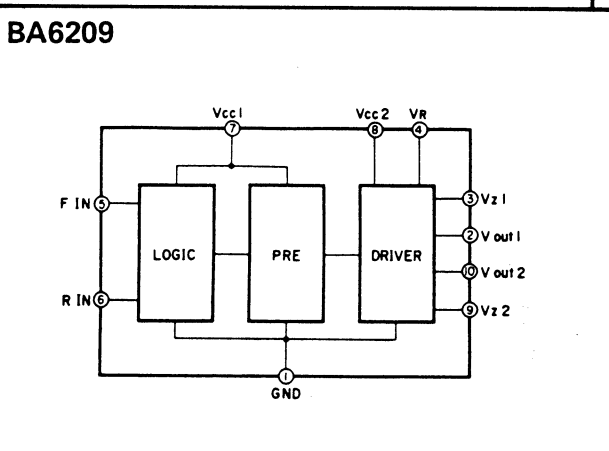
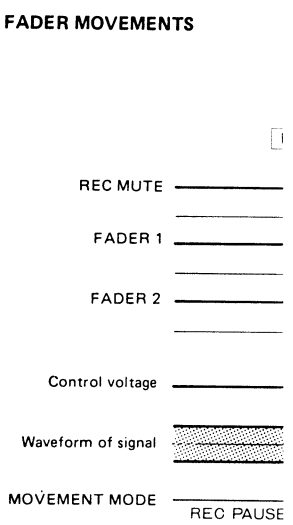
SCAN	SCAN 0	SCAN 1	SCAN 2	SCAN 3	SCAN 4	SCAN 5
Input terminals	31 · I <sub>1</sub>	8 · D <sub>0</sub>	9 · D <sub>1</sub>	10 · D <sub>2</sub>	11 · D <sub>3</sub>	30 · I <sub>0</sub>
33	A <sub>0</sub> 50/60 Hz	<<-> (REW)	Direction	Reset	Remaining Time	Sw
34	A <sub>1</sub> Reel table pulse T	>>-> (FF)	Mute/Search	Memory		Sw
35	A <sub>2</sub> Reel table pulse S	Play	Fader	Repeat	Introsan	Skip Sw
36	A <sub>3</sub>	FD Rec/Pause	Stop			Between-tune pulse
2	C <sub>0</sub> Mechanism	FR 70μ Sensor	Erase-prevention tab (F)	Power Sw	Time	
3	C <sub>1</sub> position	CRS Metal Sensor	Erase-prevention tab (R)	Timer Play	Rotary	ON
4	C <sub>2</sub> detection	CS	Housing detection	Timer Rec	Sw	OFF
5	C <sub>3</sub>	PS	Leader tape detection			Sleep

No.	SCAN	Terminal	Name	Function	Mouement level
1		A <sub>0</sub>	Power supply pulse	Built-in clock reference clock input (50 or 60 Hz)	—
2		A <sub>1</sub>	Reel table pulse (T)	Reel table rotation pulse (right)	—
3		A <sub>2</sub>	Reel table pulse (S)	" (left)	—
4	I <sub>1</sub> -Scan 1	A <sub>3</sub>	FD	Mechanism position sensor (L at FWD)	S
5		C <sub>0</sub>	FR	" (L at FF or REW)	"
6		C <sub>1</sub>	CRS	" (L at STOP)	"
7		C <sub>2</sub>	CS	" (L at CUE or REVIEW)	"
8		C <sub>3</sub>	PS	" (L at PLAY)	"
9		A <sub>0</sub>	<<-> (REW)	Operation key Fast wind to left	S
10		A <sub>1</sub>	>>-> (FF)	" Fast wind to right	"
11		A <sub>2</sub>	Play	" PLAY	"
12	D <sub>0</sub> -Scan 1	A <sub>3</sub>	Rec/Pause	" REC/PAUSE	"
13		C <sub>0</sub>	70μ Sensor	Cassette shell detec hole 70μ hole	70μ when S
14		C <sub>1</sub>	Metal Sensor	" METAL hole	METAL when S
15		A <sub>0</sub>	Direction	Operation key Head reversal	S
16		A <sub>1</sub>	Mute/Search	" Record muting, tune-beginning search if pressed with <<-> >>->	"
17		A <sub>2</sub>	Fader	" Fade in/out recording	"
18		A <sub>3</sub>	Stop	" Stop	"
19	D <sub>1</sub> -Scan 2	C <sub>0</sub>	Erase-prevention tab (F)	Cassette shell detection hole Erase-prevention tab (F)	Recording possible when S
20		C <sub>1</sub>	Erase-prevention tab (R)	" " (R)	"
21		C <sub>2</sub>	Housing detection	Cassette loading	Shell detected when S
22		C <sub>3</sub>	Leader tape detection	Cassette tape leader and magnetized surface detection	Leader when S
23		A <sub>0</sub>	Reset	Counter clear	S
24		A <sub>1</sub>	Memory	Counter memory	"
25	D <sub>2</sub> -Scan 3	A <sub>2</sub>	O-M Repeat	O-memory repeat	"
26		C <sub>0</sub>			"
27		C <sub>1</sub>	Timer Play	When power ON: playback start	"
28		C <sub>2</sub>	Timer Rec	" recording start	"
29		A <sub>0</sub>	Remaining Time	Tape remaining indication auto fader	S
30		A <sub>2</sub>	Intro Scan	Intro scan	"
31	D <sub>3</sub> -Scan 4	C <sub>0</sub>			"
32		C <sub>1</sub>			"
33		C <sub>2</sub>			"
34		C <sub>3</sub>			"
35		A <sub>0</sub>	Sw	Reverse mode selector One-way only designation	S
36	I <sub>0</sub> -Scan 5	A <sub>1</sub>	Sw	" Repeat both ways designation	"
37		A <sub>2</sub>	Skip Sw	Step	"
38		A <sub>3</sub>	Between-tune Signal	Between-tune signal	S : between tunes

Note 1 : No.9-12, 15-18, 23-25, 29, 30.....2 readings to remove chattering.  
 Note 2 : No.26.....16 readings to remove chattering.  
 Note 3 : No.1, 2, 3, 13, 14, 18 (when power OFF), 22, 38 : input by transistor switch.  
 Note 4 : S.....short-circuit between terminals.

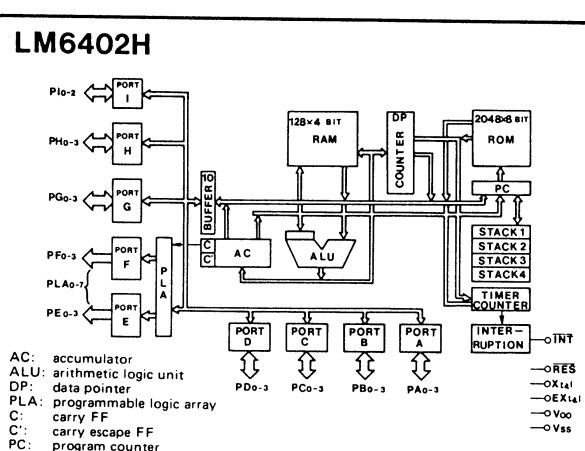
Terminal	Name
22	REC. BIAS
G <sub>0</sub>	
23	REC. MUTE
G <sub>1</sub>	
24	REC/PLAY SELECT
G <sub>2</sub>	
25	LINE MUTE
G <sub>3</sub>	
26	FADER 1
H <sub>0</sub>	
27	FADER 2
H <sub>1</sub>	
28	PLAY
H <sub>2</sub>	
29	DIRECTION
H <sub>3</sub>	
32	
I <sub>2</sub>	
37	REELR
B <sub>0</sub>	
38	REELF
B <sub>1</sub>	
39	ASISTF
B <sub>2</sub>	
40	ASISTR
B <sub>3</sub>	

OUTPUT	REC BI
MOVEMENT MODE	(22.G)
STOP	H
FF	H
REW	H
PLAY	FWD. H
	REV. H
CUE	H
REVIEW	H
REC PAUSE	L
REC	FWD. L
	REV. L
FADE IN	L
FADE OUT	L
AUTO SOURCE CHANGE	H



Truth table

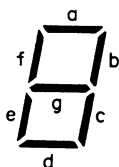
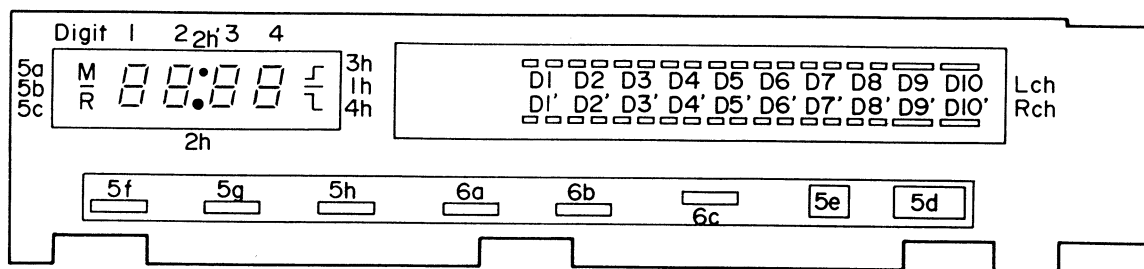
Fin	Rin	Vout1	Vout2
1	1	L	L
0	1	L	H
1	0	H	L
0	0	L	L



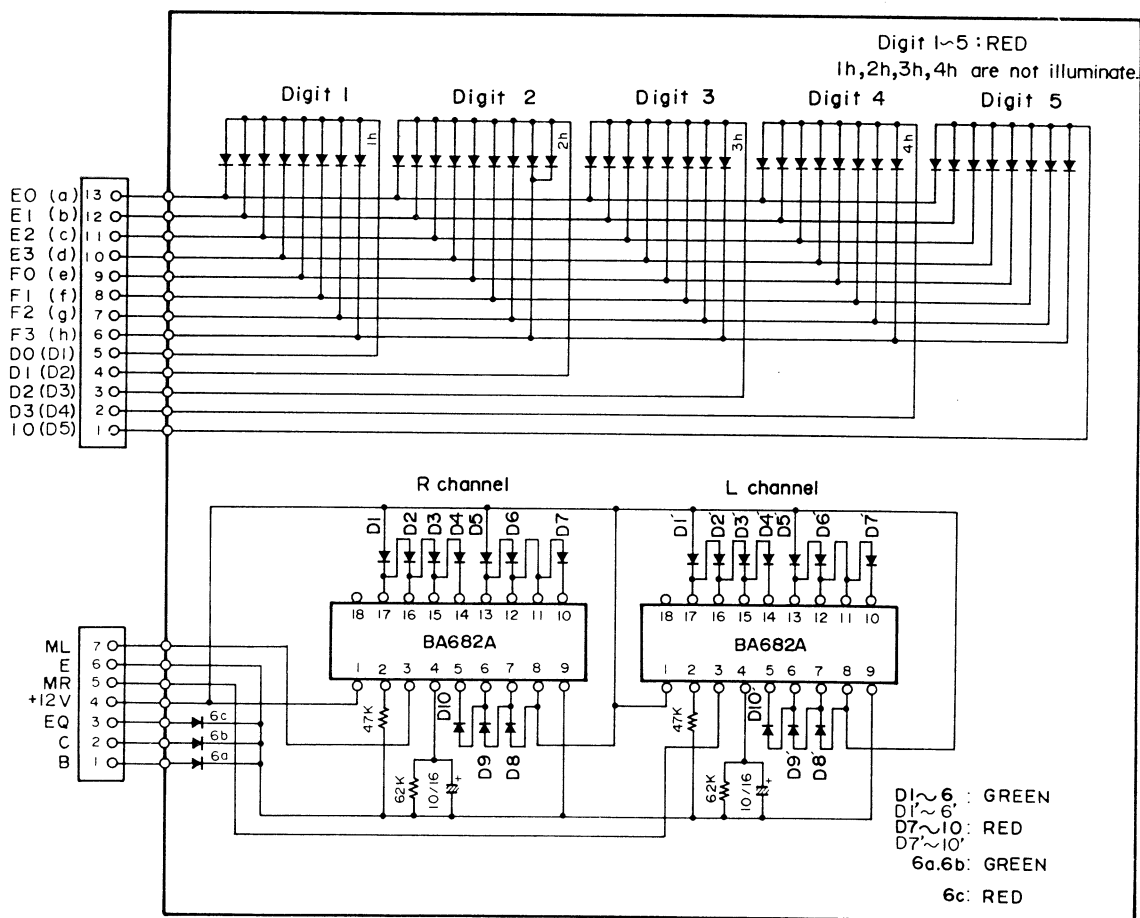


# SCHEMATIC DIAGRAM

• LED UNIT



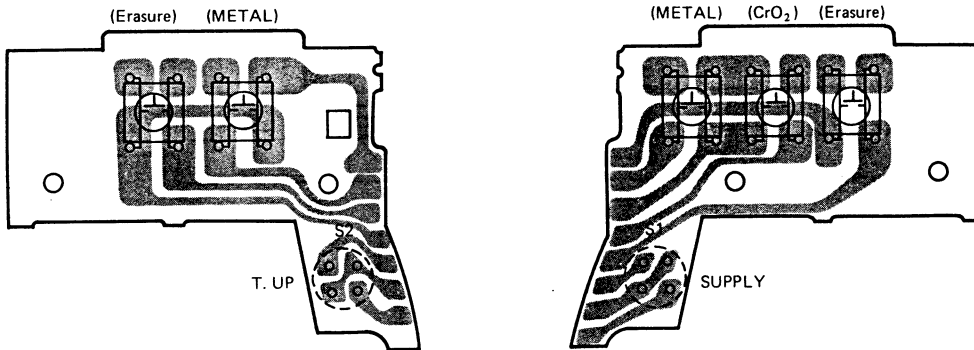
LED UNIT LS-0591-1



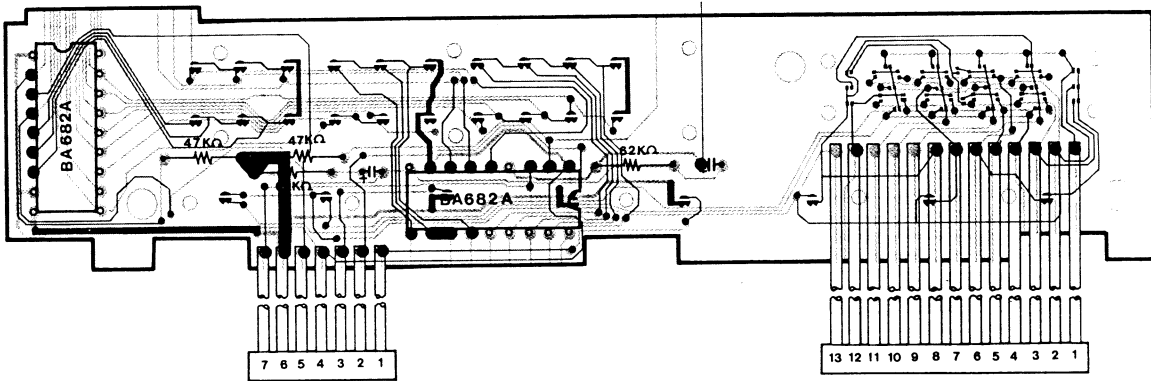
# K-600

## ■ PRINTED CIRCUIT BOARD (Pattern Side)

- Connector circuit board

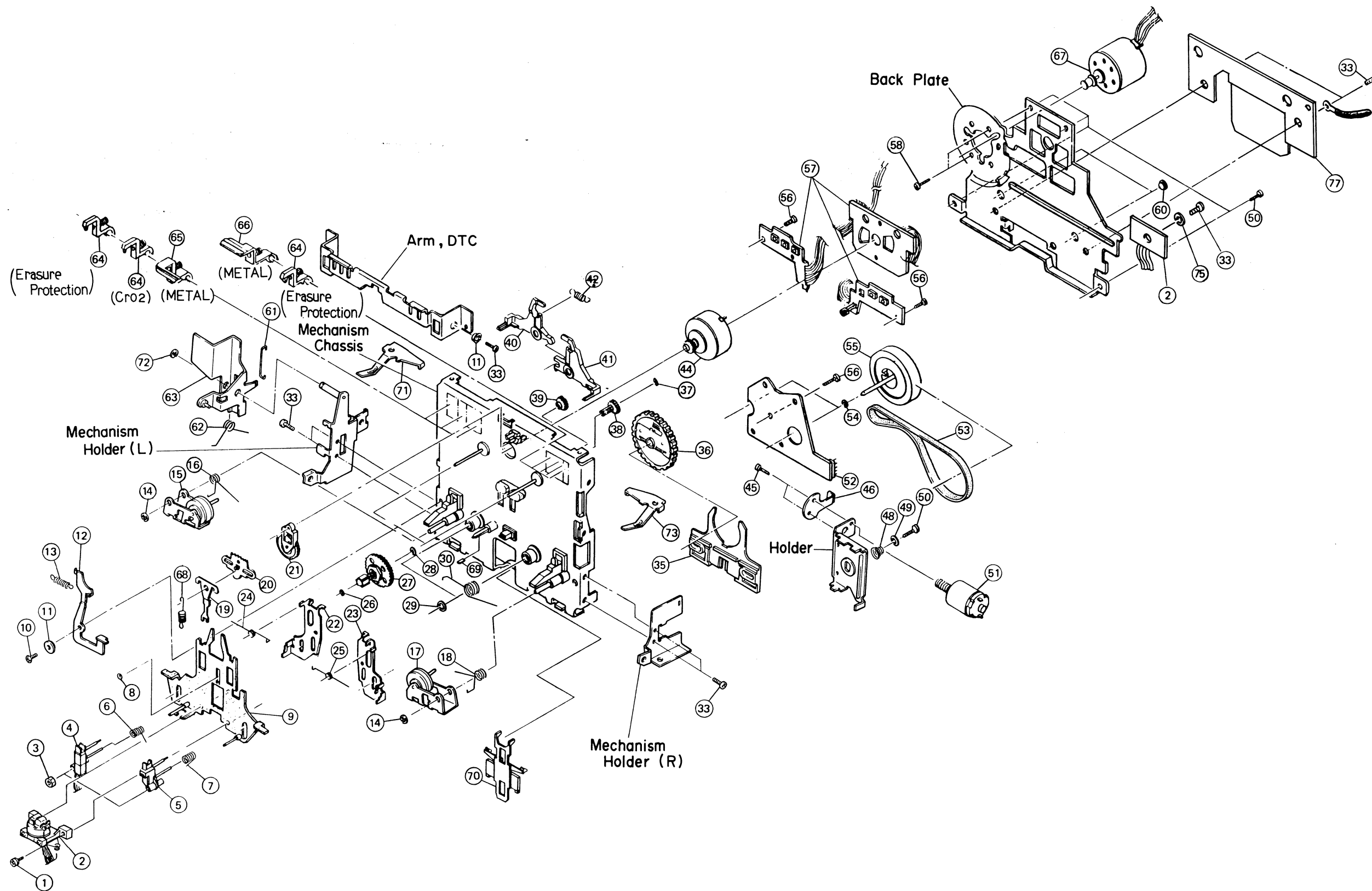


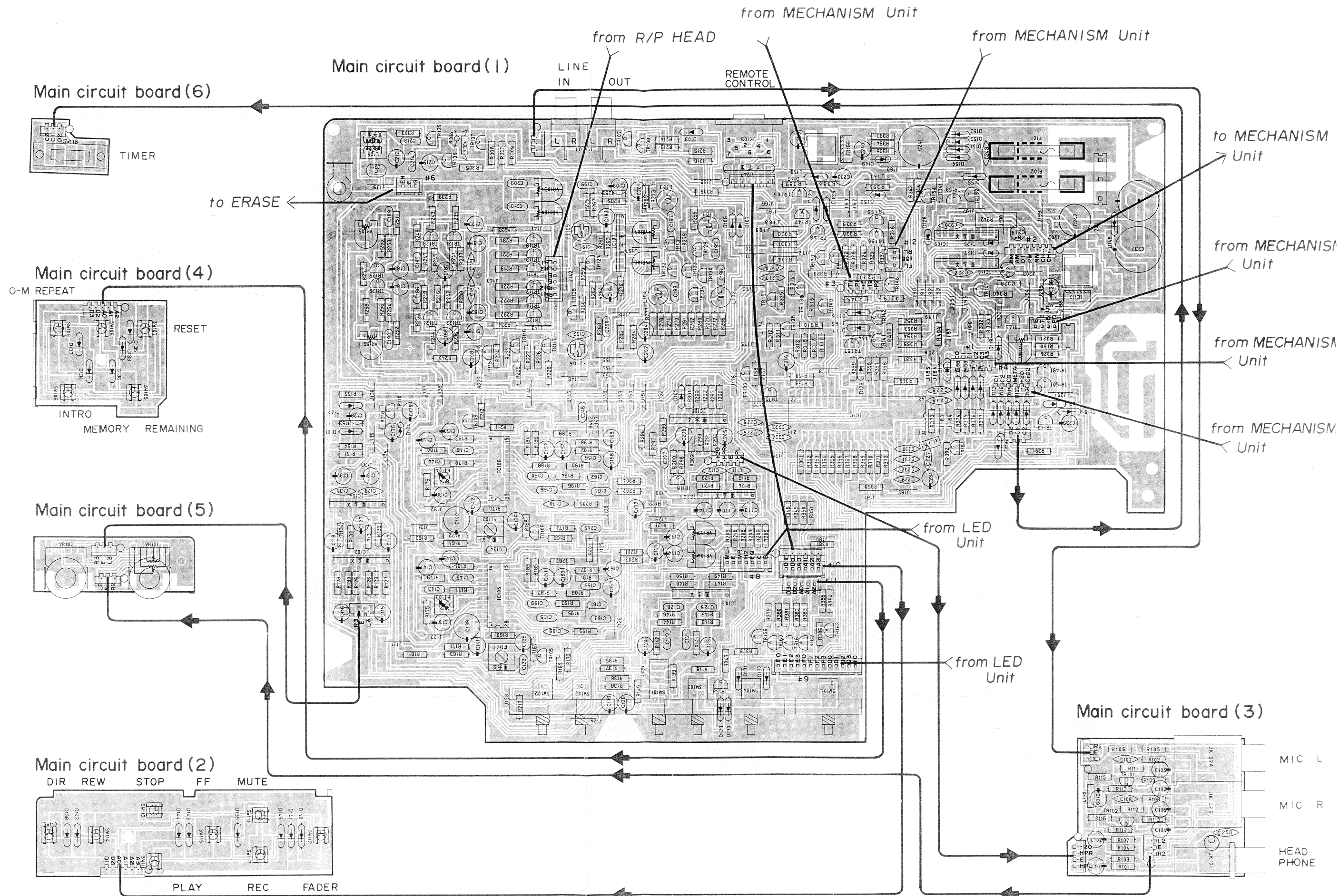
- LED circuit board





EXPLODED VIEW (CASSETTE MECHANISM)





## PARTS LIST

## ■CASSETTE MECHANISM PARTS

Ref. No.	Part No.	Description	部 品 名	Remarks	Common Model	Markets	ランク
1	EH 02:00:50	Head Screw	M2x5 ZMC2-Y	カムス小ネジ			
※	2	XX 63:87:10	Head Unit		ヘッドユニット		K-550
※	"	XX 63:87:20	"		"		K-600
3	EV 10:10:26	Hexagon Nut	φ2 FNM3-3G	六角ナット	PACK		
※	4	XX 63:87:30	Sensor Unit		センサーユニット		
5	XX 63:64:40	Tape Guide		テープガイド			KX-505
6	XX 63:64:50	Spring	(L)	調整スプリング(L)			KX-505
7	XX 63:64:60	Spring	(R)	" (R)			KX-505
8	EZ 00:15:30	Steel Ball	φ2	スチールボール			
※	9	XX 63:87:40	Head Base		ヘッドベース		KX-505
10	EA 93:00:66	Pan Head Screw	M3x6 ZMC2-Y	ナベ小ネジ	PACK		
11	XX 63:64:70	Spacer		スペーサー			KX-505
※	12	XX 63:87:50	Arm		イジェクト防止アーム(L)		
13	XX 63:64:90	Spring		イジェクト防止スプリング			KX-505
14	EV 50:12:06	E Ring	φ2 FNM3-3G	Eリング	PACK		
※	15	XX 63:87:60	Pinch Roller Ass'y		ピンチローラー Ass'y(L)		
※	16	XX 63:87:70	Spring	(L)	ピンチバネ (L)		
※	17	XX 63:87:80	Pinch Roller Assy		ピンチローラー Ass'y(R)		
※	18	XX 63:87:90	Spring	(R)	ピンチバネ (R)		
※	19	XX 63:89:00	"		押えバネ		KX-505
20	XX 63:65:50	Slide Plate		C/R スライド板			KX-505
21	XX 63:65:60	Idler Unit		アイドラユニット			KX-505
※	22	XX 63:88:00	Slide Base	(L)	スライドベース(L)		
※	23	XX 63:88:10	"	(R)	" (R)		
24	XX 63:65:90	Spring		S B バネ (L)			KX-505
25	XX 63:66:00	"		" (R)			KX-505
26	XX 63:66:10	Washer		座金			KX-505
※	27	XX 63:89:20	Reel Base Ass'y		リール台 Ass'y		KX-505
28	XX 63:66:30	Washer	φ2.1xφ7xT0.3	ポリスライダ			KX-505
29	XX 63:66:40	"	φ2.5	ワッシャーオイルシール			KX-505
30	XX 63:66:50	Spring		H B バネ			KX-505
33	EA 03:00:56	Pan Head Screw	M3x5 ZMC2-Y	ナベ小ネジ	PACK		
35	XX 63:66:60	Slide change		切換スライド			KX-505
36	XX 63:66:70	Gear Unit		ギヤユニット			KX-505
37	XX 63:66:80	Washer		座金			KX-505
38	XX 63:66:90	Worm Gear		ウォームギヤ			KX-505
39	XX 63:67:00	Idler Gear		アイドルギヤ			KX-505
40	XX 63:67:10	Liver	(L)	ブレーキレバー(L)			KX-505
41	XX 63:67:20	"	(R)	" (R)			KX-505
42	XX 63:67:30	Spring		ブレーキスプリング			KX-505
44	XX 63:67:40	Reel Motor		リールモーター			KX-505
45	XX 63:67:50	Cums Screw	M2x3.5	カムス小ネジ			KX-505
46	XX 63:67:60	Spring		スラスト受けバネ			KX-505
48	XX 63:67:70	"		BKTスプリング			KX-505
49	EV 20:03:56	Plain Washer	φ3.5 ZMC2-Y	平座金	PACK		
50	Ei 02:60:80	Binding Head Tapping Screw	M2.6x8 ZMC2-Y	バインドタッピングネジ			
51	XX 63:67:80	Assist Motor		アシストモーター			KX-505
52	XX 63:67:90	Senser Circuit Board		検出シート Ass'y			KX-505
53	XX 63:68:00	Belt, Flywheel		平ベルト			KX-505
54	XX 63:68:10	Washer	φ2.6 T0.25	座金			KX-505
※	55	XX 63:88:20	Fiywheel		フライホイール		
56	Ei 02:00:60	Binding Head Tapping Screw	M2x6 ZMC2-Y	バインドタッピングネジ			
※	57	XX 63:88:30	Connector Circuit Board		コネクタシート Ass'y		

\*New Parts (新規部品)



# K-600

## 1 EXPLODED VIEW

2

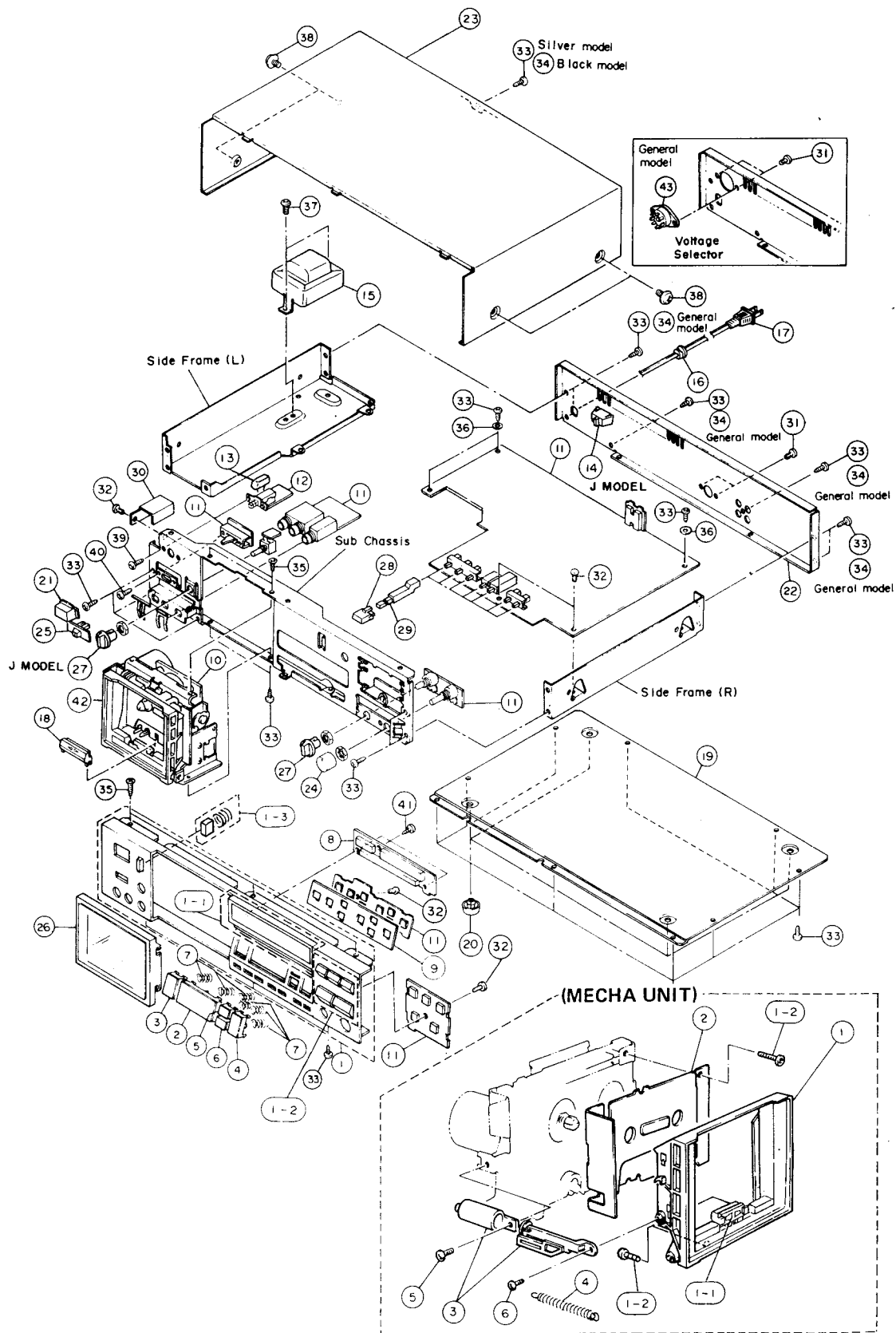
3

4

5

6

7



MECHANISM PARTS

Ref. No.	Part No.	Description	部 品 名	Remarks	Common Model	Markets	ランク
※ 1	NB 61 96 10	Panel Sub Unit	Silver	パネルサブユニット		J	
※ "	NB 61 96 20	"	Black	"		"	
※ "	NB 62 00 80	"	Silver	"		U, C, A, B, G, R	
※ "	NB 62 00 90	"	Black	"		"	
※ 1-1	NB 61 96 70	Meter Panel Ass'y	Silber	メーターパネルAss'y		J	
※ "	NB 61 96 80	"	Black	"		"	
※ "	NB 61 96 90	"	Silver	"		U, C, A, B, G, R	
※ "	NB 61 97 00	"	Black	"		"	
※ 1-2	NB 61 96 30	Button Ass'y	Silver	ファンクションボタンAss'y	FUNCTION		
※ "	NB 61 96 40	"	Black	"	"		
※ 1-3	NB 61 36 00	"	Silver	イジェクトボタンAss'y	EJECT	K-700/750	
※ "	NB 61 45 90	"	Black	"	"	"	
※ 2	CB 62 56 90	Button	Silver	オペボタン P	OPERATION		
※ "	CB 62 57 00	"	Black	"	"		
※ 3	CB 62 92 30	"	Silver	オペボタン D	DIRECTION		
※ "	CB 62 92 40	"	Black	"	"		
※ 4	CB 62 92 70	"	Silver	オペボタン F	FADER		
※ "	CB 62 92 80	"	Black	"	"		
※ 5	CB 62 91 50	"	Silver	オペボタン R	REC/PAUSE		
※ "	CB 62 91 60	"	Black	"	"		
※ 6	CB 62 91 90	"	Silver	オペボタン M	MUTE/SEARCH		
※ "	CB 62 92 00	"	Black	"	"		
※ 7	AA 61 89 90	Spring, Operate		スプリング	OPERATION	K-700/750	
※ 8	NA 08 46 20	Led Unit	Silver	LEDユニット		J	
※ "	NA 08 46 40	"	Black	"		"	
※ "	NA 08 46 30	"	Silver	"		U, C, A, B, G, R	
※ "	NA 08 46 50	"	Black	"		"	
※ 9	CB 63 26 40	ES Guard	Silver	ESガード			
※ 10	PB 06 44 90	Mechanism Unit		メカユニット		J	
※ "	PB 06 45 00	"		"		U, C, A, B, G, R	
※ 11	NA 08 46 70	Main Circuit Board	Silver	メインシート		J	
※ "	NA 08 46 80	"	Black	"		"	
※ "	NA 08 46 90	"	Silver	"		R	
※ "	NA 08 47 00	"	Black	"		"	
※ "	NA 08 47 10	"	Silver	"		A, B, G	
※ "	NA 08 47 20	"	Black	"		"	
※ "	NA 08 47 30	"	Silver	"		U, C	
※ "	NA 08 47 40	"	Black	"		"	
12	KA 80 32 90	Power Switch	SDLC-1P	パワースイッチ	SW501	U, C, A, B, G, R	
13	Fi 41 41 00	Ceramic Cap	0.01μF	セラコン	C501	"	
14	LB 20 18 10	AC Outlet		ACアウトレット		J	
15	GA 66 94 10	Power Transformer		電源トランス		K-750	J
"	GA 66 96 10	"		"		K-700	U, C
"	GA 66 97 10	"		"		"	A, B
"	GA 66 98 10	"		"		"	G
"	GA 66 95 00	"		"		"	R
16	CB 61 68 10	Cord Stopper	CM-22A	コードストッパー		T-500	J, U, C
"	CB 62 01 90	"	CM-22B	"		CD-1	A, B, G, R
17	MG 00 17 50	Power Cord	7A 125V 2.2m	電源コード	} Inter-changeable	J	
"	MG 00 17 60	"	"	"		"	"
"	MG 00 08 40	"	10A 125V 2m	"	} Inter-changeable	U, C	
"	MG 00 12 40	"	10A 125V 2m	"		"	U, C

※New Parts (新規部品)

Ref. No.	Part No.	Description	部 品 名	Remarks	Common Model	Markets	ランク
17	MG 00 09 20	Power Cord	7.5A 250V 2.5m	電 源 コ ー ド	} Inter-changeable	A	
"	MG 00 14 90	"	"	"		A	
"	MG 00 16 20	"	2.5A 250V 2m	"		G	
"	MG 00 16 30	"	6A 250V 2m	"		R	
"	MG 00 18 60	"	2.5A 250V 2m	"		B	
18	NB 61 47 00	Direction Cap Ass'y	Silver	ディレクションキャップAss'y	K-700/750		
"	NB 61 47 10	"	Black	"	"		
19	AA 61 81 30	Bottom Cover		ボトムカバー	"		
20	CB 08 03 50	Leg		脚	CA-ZI.		
21	NB 61 48 30	Button Ass'y	Silver	ボタ ンAss'y	POWER	K-700/750	
"	NB 61 48 40	"	Black	"	"	"	
22	AA 62 16 30	Rear Panel		リアパネル		J	
"	AA 62 6 40	"		"		R	
"	AA 62 6 50	"		"		U, C	
"	AA 62 6 60	"		"		A, B	
"	AA 62 6 70	"		"		G	
23	AA 61 81 40	Top Cover	Silver	ト ッ プ カ バ ー	K-700/750		
"	AA 61 85 80	"	Black	"	"		
24	BA 08 49 00	Knob, TC	Silver	ツ マ ミ	REC LEVEL	A-500	
"	BA 08 51 00	"	Black	"	"	"	
25	CB 62 10 10	Button, Timer	Silver	ボ タ ン	TIMER	K-700/750	
"	CB 62 21 70	"	Black	"	"	"	
26	CB 62 10 30	Lid	Silver	リ ッ ド		"	
"	CB 62 21 80	"	Black	"		"	
27	CB 62 08 30	Knob, Switch	Silver	ツ マ ミ	BALANCE	A-950/1000	
"	CB 62 08 40	"	Black	"	"	"	
28	CB 62 54 10	Push Button MS	Silber	ボ タ ン		K-520	
"	CB 62 54 20	" B	Black	"		"	
29	CB 62 10 20	Rod		ロ ッ ド		K-700/750	
30	CB 61 84 50	Cover, Power Switch		A C カ バ ー		K-1000	U, C, A, B, G, R
31	CB 06 88 80	Plastic River		プラスチックリベット			
32	CB 60 56 20	"		"			
33	Ei 03 00 86	Binding Head Tapping Screw	3x8 (ZMC2-Y)	バインドタッピングネジ	PACK		
34	Ei 33 00 86	"	3x8 (FCM3-BI)	"	PACK		
35	EO 03 00 86	Flat Head Tapping Screw	3x8 (ZMC2-Y)	皿タッピングネジ	PACK		
36	EV 20 00 36	Plain Washar	φ3 (ZMC2-Y)	平 座 金	PACK		
37	EH 94 00 80	Sems Screw	4x8 (ZMC2-Y)	セ ス ム 小 ネ ジ			
38	EK 36 50 40	BW Head Screw	4x8 (FCM3-BI)	ブレザー小ネジ	BLACK		
"	EK 13 00 20	"	4x8 (FNM3-3g)	"	SILVER		
39	ED 03 00 66	Biding Head Screw	3x6 (ZMC2-Y)	バインド小ネジ	PACK		
40	ED 02 60 46	"	2.6x4 (ZMC2-Y)	"			
41	Ei 02 60 66	Binding Head Tapping Screw	2.6x6 (ZMC2-Y)	バインドタッピングネジ	PACK		
	CB 06 92 50	Binding Tie	T18R	インシュロックタイ			
42	NB 61 97 80	Housing Ass'y	Silver	ハウジングAss'y		J	
"	NB 61 97 90	"	Black	"		"	
"	NB 61 98 00	"	Silver	"		U, C, A, B, G, R	
"	NB 61 98 10	"	Black	"		"	
43	LB 20 14 80	Voltage selector		電 圧 切 換 器	K-700	R	
		<b>Accessories Assembly</b>		付 属 品Ass'y			
	Mi 06 62 10	Pin Cord	1.2m	ピ ン コ ー ド			

\*New Parts (新規部品)







## ELECTRICAL PARTS

Ref. No.	Part No.	Description	部 品 名	Remarks	Common Model	Markets	ランク
※	NA 08 46 70	Main Circuit Board	Silver	メ イ ン シ ー ト		J	
※	NA 08 46 80	"	Black	"		"	
※	NA 08 46 90	"	Silver	"		R	
※	NA 08 47 00	"	Black	"		"	
※	NA 08 47 10	"	Silver	"		A, B, G	
※	NA 08 47 20	"	Black	"		"	
※	NA 08 47 30	"	Silver	"		U, C	
※	NA 08 47 40	"	Black	"		"	
	FG 41 13 30	Ceramic Cap	33pF 50V	セ ラ コ ン	C129, 130		
	FG 21 21 00	"	100pF 50V	"	C107, 108, 111, 112, 169, 170		
	FG 21 22 20	"	220pF 50V	"	C227, 238		
	FG 71 25 60	"	560pF 50V	"	C179, 180, 191, 192		
	FG 74 41 00	"	0.01μF 50V	"	C217, 218, 220, 222, 228~232, 243		
	FG 74 41 00	"	0.01μF 50V	"	C223~226	J	
	FG 71 31 00	"	1000pF 50V	"	"	U, C, A, B, G, R	
	Fi 40 41 00	"	0.01μF 250V	"	C244	J	
	FU 15 21 00	Mica Cap	100pF 50V	マ イ カ コ ン	C209, 210		
	UA 25 31 00	Mylar Cap	1000pF 50V	マ イ ラ ー コ ン	C213		
	UA 25 32 20	"	2200pF 50V	"	C214		
	UA 25 33 30	"	3300pF 50V	"	C133, 134		
	UA 25 34 70	"	4700pF 50V	"	C159, 160		
	UA 25 36 80	"	6800pF 50V	"	C195, 196		
	UA 25 37 50	"	7500pF 50V	"	C197, 198	J	
	UA 25 41 00	"	0.01μF 50V	"	"	U, C, A, B, G, R	
	UA 25 38 20	"	8200pF 50V	"	C163, 164, 245, 246		
	UA 25 41 00	"	0.01μF 50V	"	C143, 144, 189, 190, 207		
	UA 25 41 20	"	0.012μF 50V	"	C185, 186		
	UA 25 42 70	"	0.027μF 50V	"	C155, 156, 165, 166		
	UA 25 43 30	"	0.033μF 50V	"	C145, 146, 161, 162		
	UA 25 46 80	"	0.068μF 50V	"	C121, 122, 125, 126		
	FA 85 51 80	"	0.18μF 50V	"	C199, 200		
	UK 16 61 00	Electrolytic Cap	1μF 50V	Ｂ Ｐ コ ン	C219, 221		
	FT 17 41 50	Polypropylene Film Cap	0.015μF 100V	ポ リ プ ロ コ ン	C211		
	FZ 00 35 70	Capacitor Network	0.01x6	コ ン デ ン サ ア レ イ	C247	U, C, A, B, G, R	
	Ui 93 98 20	Electrolytic Cap	8200μF 16V	ケ ミ コ ン	C237		
	UW 91 82 20	"	220μF 6.3V	"	C187, 188		
	UW 83 74 70	"	47μF 16V	"	C101, 102, 128		
	UW 83 81 00	"	100μF 16V	"	C127		
	UW 84 64 70	"	4.7μF 25V	"	C113~118, 131, 132, 135, 136, 171, 172, 181~184, 193, 194		
	UW 84 71 00	"	10μF 25V	"	C119, 120, 157, 158, 167, 168, 175, 176, 201, 202, 216, 233, 235, 236, 239		
	UW 84 72 20	"	22μF 25V	"	C109, 177, 178, 203, 204, 208, 212, 215		
	UW 84 81 00	"	100μF 25V	"	C240		
	UW 56 51 00	"	0.1μF 50V	"	C147, 148		
	UW 56 51 50	"	0.15μF 50V	"	C153, 154		
	UW 56 53 30	"	0.33μF 50V	"	C149, 150		
	UW 56 54 70	"	0.47μF 50V	"	C151, 152		
	UW 56 61 00	"	1μF 50V	"	C103~106, 110, 123, 124, 137, 138, 141, 142, 173, 174, 205, 206, 234		
	UW 83 92 20	"	2200μF 16V	"	C249		
	UW 95 91 00	"	1000μF 35V	"	C241		
	UW 83 84 70	"	470μF 16V	"	C139, 140		
	UW 94 91 00	"	1000μF 25V	"	C242	J	
	UW 83 91 00	"	1000μF 16V	"	"	U, C, A, B, G, R	
	FG 74 41 00	Ceramic Cap	0.01μF 50V	セ ラ コ ン	C250	A, B, G	

※New Parts (新規部品)

# K-600

Ref. No.	Part No.	Description	部 品 名	Remarks	Common Model	Markets	ランク
	GE 20:04:70	Dolby Filter		ドルビーフィルター	Fi101, 102	K-700/750	
	GE 90:03:50	Bias Trap Coil	85kHz	バイアストラップコイル	Fi105 } Inter- 106 } changeable	K-200	
	GE 90:06:10	"	"	"	"		
	GE 90:06:80	Coil	20kHz	スキューイングコイル	Fi103 } Inter- 104 } changeable	K-300	
	GE 90:07:90	"	19kHz	トラップコイル	"	"	
*	GE 90:16:20	Coil	8.2mH	コ イ ル	L103, 104		
*	GE 90:16:10	"	6.8mH	"	"		J
*	GE 90:16:50	"	15mH	"	L101, 102		U. C. A. B. G. R.
*	GE 90:16:80	"		バイアス発振コイル	L105		
*	GG:00:07:20	Ceramic Crystal Unit	800KHz	セラミック振動子	XL101		
	HL 82:42:70	Metal Oxide Film Resistor	27Ω 2P	酸 金 抵 抗	R342		
	HS 41:19:30	Variable Resistor	A50kΩx2	可 変 抵 抗 器	VR101	K-700/750	
	HS 41:20:10	"	100kΩMN	"	VR102	"	
	HT 37:03:70	Semi Variable Resistor	B5k	半 固 定 抵 抗	VR107, 108	"	
	HT 37:03:80	"	B10k	"	VR105, 106	K-700/750	
	HT 37:03:90	"	B20k	"	VR103, 104, 111		
	HT 37:04:10	"	B50k	"	VR109, 110	K700/750	
	HV 45:41:50	Flame Proof Carbon Resistor	15Ω	不熱化カーボン抵抗	R304		
	HV 45:43:90	"	39Ω	"	R405		J
	iA 09:34:00	Transistor	2SA934	ト ラ ン ジ ス タ	TR159~163	} Inter-changeable	
	iB 05:44:20	"	2SB544	"	"		
	iA 11:15:10	"	2SA1115 E,F	"	TR115, 138-140	} Inter-changeable	
	iA 11:27:00	"	2SA1127 R,S,T	"	145, 147, 148, 156, 165		
	iC 19:83:00	"	2SC1983	"	TR166	} Inter-changeable	
	iD 12:73:00	"	2SD1273 Q,P	"	"		
	iD 10:52:00	"	2SD1052A	"	"		
	iC 26:03:10	"	2SC2603 E,F	"	TR101-106, 109, 111-114, 116-124,	} Inter-changeable	
	iC 26:34:00	"	2SC2634 R,S,T	"	125, 126, 129-136, 141-144, 146,		
	iC 26:03:10	"	2SC2603 E,F	"	TR167	} Inter-changeable	J
	iC 26:34:00	"	2SC2634 R,S,T	"	"		"
	iC 28:78:00	"	2SC2878	"	TR107, 108 127, 128	} Inter-changeable	
	iD 06:55:10	"	2SD655 E,F	"	"		
	iD 13:02:00	"	2SD1302 R,S	"	"		
	iC 20:60:00	"	2SC2060	"	TR110, 137, 152		
	iC 20:60:00	"	2SC2060	"	TR168		J
	iF 00:06:70	Diode	1S2473	ダ イ オ ード	D121-124, 101-103, 105-119, 128-147, 155, 156	} Inter-changeable	
	iF 00:00:40	"	1S1555	"	"		
	iF 00:06:70	Diode	1S2473	ダ イ オ ード	D157~162	} Inter- changeable	J
	iF 00:00:40	"	1S1555	"	"		"
	iF 00:34:80	Zener Diode	HZ3C-1	ツェナーダイオード	D126		
	iF 00:44:30	"	HZ12C-2	"	D104	} Inter- changeable	
	iF 00:70:00	"	MA1130M	"	"		
	iF 00:50:70	"	HZ6C-2	"	D127	} Inter- changeable	
*	iF 00:67:60	"	MA1062M	"	"		
	iF 00:67:20	"	MA1056L	"	D125, 150		

\* New Parts (新規部品)

Ref. No.	Part No.	Description	部 品 名	Remarks	Common Model	Markets	ランク
*	iF 00 71 80	Zener Diode	MA1220M	ツェナーダイオード	D149		
	iG 03 47 00	IC	AN6551	I	C	IC102, 103 107, 108	
*	iG 07 68 00	"	NJM4558S	"	"	Inter-changeable	
	iG 13 22 00	"	BA715	"	"		
	iG 07 74 00	"	NJM4556S	"	"	IC101	
	iG 07 53 00	"	AN78M05	"	"	Inter-changeable	
	iG 07 56 00	"	NJM78M05A	"	"		
	iG 10 11 00	"	BA6209	"	"	IC109, 110	
	iG 11 02 00	"	AN5733	"	"	IC104	
	iG 11 65 00	"	AN7370	"	"	IC105, 106	
*	iG 13 29 00	"	LM6402H-377	"	"	IC111	
	iH 00 14 30	Diode	1SR35-100A	ダイオード	D148, 151~154	Inter-changeable	
*	iH 00 15 50	"	11E1	"	"		
	KA 40 12 40	Slide Switch	SSB423	スライドスイッチ	SW118	K-700/750	
*	KA 50 19 90	Rotary Switch	2-5	ロータリースイッチ	SW119		J
	KA 80 41 10	Push Switch	SUJ2-2	プッシュSW	SW102	K-700/750	
	KA 80 41 20	"	SUJ2-0-2	"	SW104		
*	KA 80 45 40	"	SUJ4-2	"	SW101		
*	KA 80 45 50	"	SUL2-2	"	SW120		
*	KA 80 45 60	"	SUJ2-2	"	SW103		J
	KA 90 63 80	"	5M EVO-ORB-04	タクトSW	SW105~117		
	KB 00 03 30	Fuse	T1A 250V	ヒューズ	F101, 102		
	KB 00 07 20	Fuse Miniature	T800mA 250V	ミニチュアヒューズ	"	J, R	
	KB 00 10 60	Fuse	1A 250V	ヒューズ	"	A, B, G U, C	
*	KC 00 19 10	Relay	DH12D1-OM	リレー	RY101		J
	LB 30 16 80	Phone Jack (White)	Silver	ホーンジャック	JK101		
	LB 30 16 90	" (Black)	Black	"	"	K-1000 K-1000B	
	LB 40 10 30	Pin Jack		ピンジャック	PJ101		K-1000
	LB 60 61 10	Mic Jack (White)	Silver	マイクジャック	JK102		
	LB 60 61 20	" (Black)	Black	"	"	K-700/750	
	LB 60 50 30	DIN Jack	8P	DINジャック	JK103	U, C, A, B, G, R	K-100B
	LA 00 23 20	Lapping Terminal	P=7.5 3P	I型ラッピング端子板			
	LA 00 21 10	"	P=5 2P	"			
	BB 06 62 90	Ground Washer		アースワッシャー			
	BA 08 40 00	Heat Sink		放熱板			
	CB 61 22 40	Cushion		シートクッション			
	LB 20 18 80	Pin Fuse Holder		ヒューズホルダーピン			
	Ei 03 00 66	Binding Head Tapping Screw	3x6 (ZMC2-Y)	バインドタッピングネジ	PACK		

\*New Parts (新規部品)